



**Model Number**

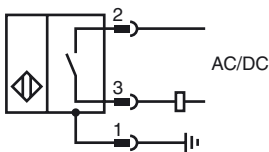
**NJ2-F-US-2.062-V93**

Cylinder Position Switch

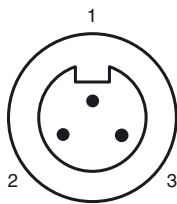
**Features**

- Weld Immune
- Sensing range 2 mm
- 1000 psi rating
- 2-wire AC/DC

**Connection**



**Pinout**



**Wire colors**

1	GN	(green)
2	BK	(black)
3	WH	(white)

**Accessories**

**V93-G-YE2M-STOOW**

Female connector, 7/8" - 16 UNF, 3-pin, PUR cable

**SPACER 0.160 TO 0.375 : X.XXX"**

Spacer for cylinder switches

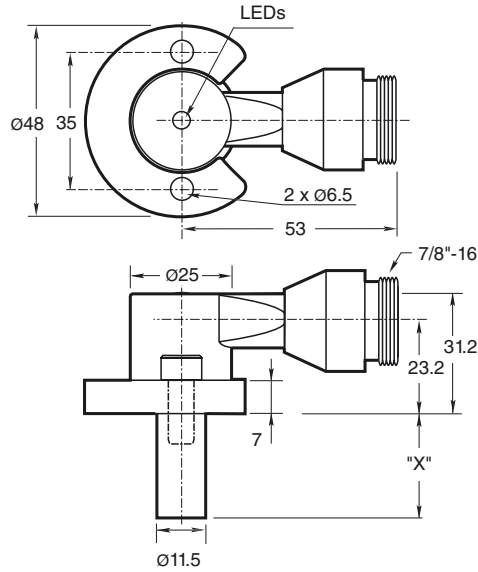
**SPACER 0.380 TO 0.875 : X.XXX"**

Spacer for cylinder switches

**SPACER 0.880 TO 1.750 : X.XXX"**

Spacer for cylinder switches

**Dimensions**



**Technical Data**

**General specifications**

Switching element function	Normally open
Rated operating distance	$s_n$ 2 mm
Installation	flush
Output polarity	AC/DC NO
Assured operating distance	$s_a$ 0 ... 1.62 mm
Reduction factor $r_{AI}$	0.4
Reduction factor $r_{304}$	0.85

**Nominal ratings**

Operating voltage	$U_B$	20 ... 250 V AC/DC
Switching frequency	$f$	0 ... 20 Hz
Hysteresis	$H$	10 ... 20 % 15 typ.
Reverse polarity protected		yes
Short-circuit protection		yes
Voltage drop	$U_d$	$\leq 7$ V
Momentary current (20 ms, 0.1 Hz)		$\leq 3$ A
Operating current	$I_L$	8 ... 300 mA
Off-state current	$I_r$	$< 1.7$ mA
Mag. Field strength, AC fields		250 mT
Mag. Field strength, DC fields		100 mT

**Limit data**

Operating pressure dynamically	1000 psi
--------------------------------	----------

**Indicators/operating means**

LED green	Power on
LED red	Output status
LED red/green	Short circuit/overload indication

**Standard conformity**

Standards	EN 60947-5-2
-----------	--------------

**Ambient conditions**

Ambient temperature	-25 ... 70 °C (-13 ... 158 °F)
---------------------	--------------------------------

**Mechanical specifications**

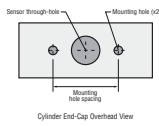
Connection type	Device connector 7/8"-16 UN , 3-pin
Protection degree	IP67
Material	Housing: zinc Probe: aluminum
Note	X = 2.062 in (52.4 mm)

**Approvals and certificates**

UL approval	cULus Listed, General Purpose
CSA approval	cCSAus Listed, General Purpose

Release date: 2012-05-03 15:33 Date of issue: 2012-05-03 906610\_eng.xml

**NPT Type Mounting Holes:**  
 1000 and 3000 psi NPT Types:  
 Mounting hole screw thread  
 shall be 1/4" - 20.  
 Minimum thread engagement  
 depth is 0.250" (6.35 mm)  
 Hole spacing is 35 mm  
 center to center.



**Mounting Screws:**  
 Standard 1000 and 3000 psi  
 models use two, self-locking 1/4"- 20 socket head cap  
 screws (provided).  
 Recommended tightening torque: 150 in lb (16.95 N-m).

**Important:** When using spacers, make  
 certain to maintain the 0.250" (6.35 mm) minimum  
 mounting screw thread engagement.