



Model Number

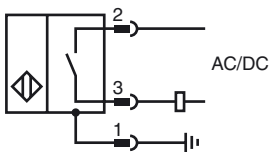
NJ2-F-US-1.025-V12

Cylinder Position Switch

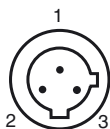
Features

- Weld Immune
- Sensing range 2 mm
- 1000 psi rating
- 2-wire AC/DC

Connection



Pinout



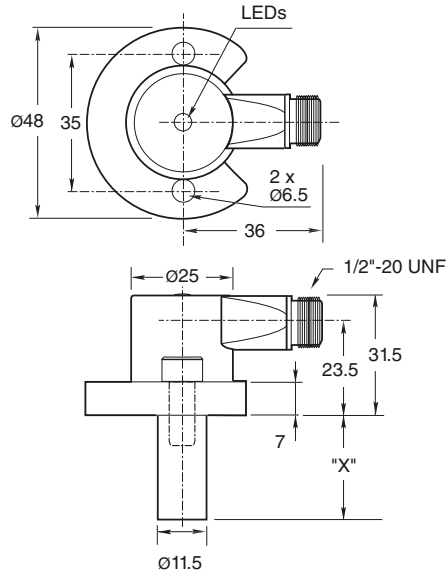
Wire colors

- | | | |
|---|-------|-------------|
| 1 | GN | (green) |
| 2 | RD/BK | (red/black) |
| 3 | RD/WH | (red/white) |

Accessories

- V12-W-YE2M-PUR-H/S**
Connecting cable, 1/2" - 20 UNF, 3-pin, irradiated PUR cable
- SPACER 0.160 TO 0.375 : X.XXX"**
Spacer for cylinder switches
- SPACER 0.380 TO 0.875 : X.XXX"**
Spacer for cylinder switches

Dimensions



Technical Data

General specifications

Switching element function	Normally open
Rated operating distance	s_n 2 mm
Installation	flush
Output polarity	AC/DC NO
Assured operating distance	s_a 0 ... 1.62 mm
Reduction factor r_{AI}	0.4
Reduction factor r_{304}	0.85

Nominal ratings

Operating voltage	U_B 20 ... 250 V AC/DC
Switching frequency	f 0 ... 20 Hz
Hysteresis	H 10 ... 20 % 15 typ.
Reverse polarity protected	yes
Short-circuit protection	yes
Voltage drop	U_d ≤ 7 V
Momentary current (20 ms, 0.1 Hz)	≤ 3 A
Operating current	I_L 8 ... 300 mA
Off-state current	I_r < 1.7 mA
Mag. Field strength, AC fields	250 mT
Mag. Field strength, DC fields	100 mT

Limit data

Operating pressure dynamically	1000 psi
--------------------------------	----------

Indicators/operating means

LED green	Power on
LED red	Output status
LED red/green	Short circuit/overload indication

Standard conformity

Standards	EN 60947-5-2
-----------	--------------

Ambient conditions

Ambient temperature	-25 ... 70 °C (-13 ... 158 °F)
---------------------	--------------------------------

Mechanical specifications

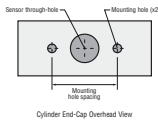
Connection type	Device connector 1/2"-20 UN , 3-pin
Protection degree	IP67
Material	Housing: zinc Probe: aluminum
Note	X = 1.025 in (26 mm)

Approvals and certificates

UL approval	cULus Listed, General Purpose
CSA approval	cCSAus Listed, General Purpose

Release date: 2012-05-03 15:32 Date of issue: 2012-05-03 906608_eng.xml

NPT Type Mounting Holes:
1000 and 3000 psi NPT Types:
Mounting hole screw thread
shall be 1/4" - 20.
Minimum thread engagement
depth is 0.250" (6.35 mm)
Hole spacing is 35 mm
center to center.



Mounting Screws:
Standard 1000 and 3000 psi
models use two, self-locking 1/4"- 20 socket head cap
screws (provided).
Recommended tightening torque: 150 in lb (16.95 N-m).

Important: When using spacers, make
certain to maintain the 0.250" (6.35 mm) minimum
mounting screw thread engagement.