



Model Number

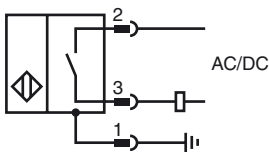
NJ2-D-US-3.775-V93

Cylinder Position Switch

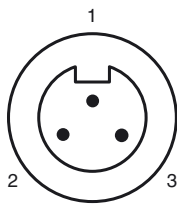
Features

- 2-wire AC/DC
- Weld Immune
- Sensing range 2 mm
- 3000 psi rating

Connection



Pinout



Wire colors

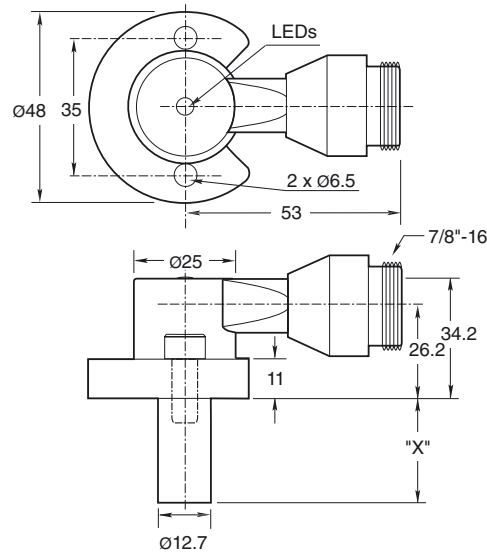
1	GN
2	BK
3	WH

Accessories

V93-G-YE2M-STOOW

Female connector, 7/8" - 16 UNF, 3-pin, PUR cable

Dimensions



Technical Data

General specifications

Switching element function	Normally open
Rated operating distance	s_n 2 mm
Installation	embeddable
Output polarity	AC/DC NO
Assured operating distance	s_a 0 ... 1.62 mm
Reduction factor r_{A1}	0.4
Reduction factor r_{V2A}	0.85

Nominal ratings

Operating voltage	U_B 20 ... 250 V AC/DC
Switching frequency	f 0 ... 20 Hz
Hysteresis	H 10 ... 20 % 15 typ.
Reverse polarity protected	yes
Short-circuit protection	yes
Voltage drop	U_d ≤ 7 V
Momentary current (20 ms, 0.1 Hz)	≤ 3 A
Operating current	I_L 8 ... 300 mA
Off-state current	I_r ≤ 1.7 mA
Mag. Field strength, AC fields	250 mT
Mag. Field strength, DC fields	100 mT

Limit data

Operating pressure dynamically	3000 psi
--------------------------------	----------

Indicators/operating means

LED green	Power on
LED red	Output status
LED red/green	Short circuit/overload indication

Standard conformity

Standards	EN 60947-5-2
-----------	--------------

Ambient conditions

Ambient temperature	-25 ... 70 °C (-13 ... 158 °F)
---------------------	--------------------------------

Mechanical specifications

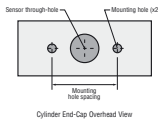
Connection type	Device connector 7/8"-16 UN , 3-pin
Protection degree	IP67
Material	Housing: zinc Probe: aluminum
Note	X = 3.775 in (95.9 mm)

Approvals and certificates

UL approval	cULus Listed, General Purpose
CSA approval	cCSAus Listed, General Purpose

Release date: 2011-02-11 14:17 Date of issue: 2011-02-11 906605_ENG.xml

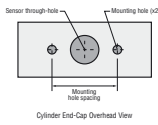
NPT Type Mounting Holes:
 1000 and 3000 psi NPT Types:
 Mounting hole screw thread
 shall be 1/4" - 20.
 Minimum thread engagement
 depth is 0.250" (6.35 mm)
 Hole spacing is 35 mm
 center to center.



Mounting Screws:
 Standard 1000 and 3000 psi
 models use two, self-locking 1/4"- 20 socket head cap
 screws (provided).
 Recommended tightening torque: 150 in lb (16.95 N-m).

⚠ Important: When using spacers, make
 certain to maintain the 0.250" (6.35 mm) minimum
 mounting screw thread engagement.

NPT Type Mounting Holes:
 1000 and 3000 psi NPT Types:
 Mounting hole screw thread
 shall be 1/4" - 20.
 Minimum thread engagement
 depth is 0.250" (6.35 mm)
 Hole spacing is 35 mm
 center to center.



Mounting Screws:
 Standard 1000 and 3000 psi
 models use two, self-locking 1/4"- 20 socket head cap
 screws (provided).
 Recommended tightening torque: 150 in lb (16.95 N-m).

⚠ Important: When using spacers, make
 certain to maintain the 0.250" (6.35 mm) minimum
 mounting screw thread engagement.

Release date: 2011-02-11 14:17 Date of issue: 2011-02-11 906605_ENG.xml