



**Model Number**

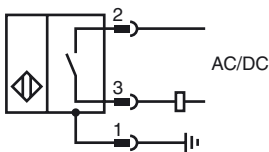
**NJ2-D-US-3.755-V93**

Cylinder Position Switch

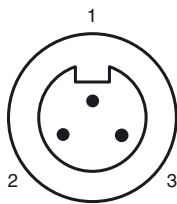
**Features**

- 2-wire AC/DC
- Weld Immune
- Sensing range 2 mm
- 3000 psi rating

**Connection**



**Pinout**



**Wire colors**

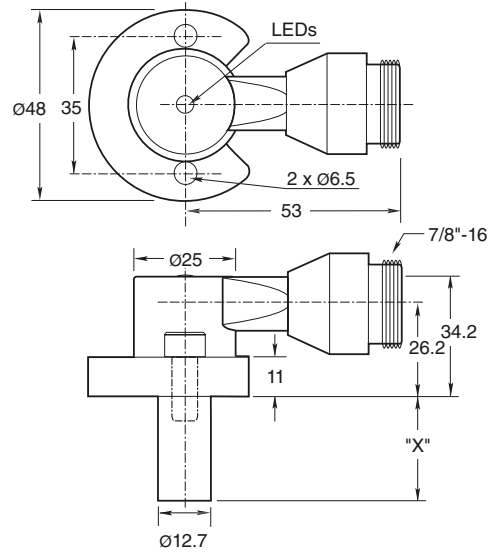
1	GN
2	BK
3	WH

**Accessories**

**V93-G-YE2M-STOOW**

Female connector, 7/8" - 16 UNF, 3-pin, PUR cable

**Dimensions**



**Technical Data**

**General specifications**

Switching element function	Normally open
Rated operating distance	$s_n$ 2 mm
Installation	embeddable
Output polarity	AC/DC NO
Assured operating distance	$s_a$ 0 ... 1.62 mm
Reduction factor $r_{A1}$	0.4
Reduction factor $r_{V2A}$	0.85

**Nominal ratings**

Operating voltage	$U_B$ 20 ... 250 V AC/DC
Switching frequency	$f$ 0 ... 20 Hz
Hysteresis	$H$ 10 ... 20 % 15 typ.
Reverse polarity protected	yes
Short-circuit protection	yes
Voltage drop	$U_d$ ≤ 7 V
Momentary current (20 ms, 0.1 Hz)	≤ 3 A
Operating current	$I_L$ 8 ... 300 mA
Off-state current	$I_r$ ≤ 1.7 mA
Mag. Field strength, AC fields	250 mT
Mag. Field strength, DC fields	100 mT

**Limit data**

Operating pressure dynamically	3000 psi
--------------------------------	----------

**Indicators/operating means**

LED green	Power on
LED red	Output status
LED red/green	Short circuit/overload indication

**Standard conformity**

Standards	EN 60947-5-2
-----------	--------------

**Ambient conditions**

Ambient temperature	-25 ... 70 °C (-13 ... 158 °F)
---------------------	--------------------------------

**Mechanical specifications**

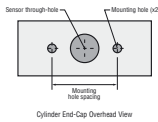
Connection type	Device connector 7/8"-16 UN , 3-pin
Protection degree	IP67
Material	Housing: zinc Probe: aluminum
Note	X = 3.755 in (95.4 mm)

**Approvals and certificates**

UL approval	cULus Listed, General Purpose
CSA approval	cCSAus Listed, General Purpose

Release date: 2011-02-11 14:17 Date of issue: 2011-02-11 906604\_ENG.xml

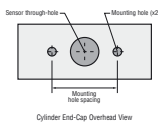
**NPT Type Mounting Holes:**  
 1000 and 3000 psi NPT Types:  
 Mounting hole screw thread  
 shall be 1/4" - 20.  
 Minimum thread engagement  
 depth is 0.250" (6.35 mm)  
 Hole spacing is 35 mm  
 center to center.



**Mounting Screws:**  
 Standard 1000 and 3000 psi  
 models use two, self-locking 1/4"- 20 socket head cap  
 screws (provided).  
 Recommended tightening torque: 150 in lb (16.95 N-m).

**⚠ Important:** When using spacers, make  
 certain to maintain the 0.250" (6.35 mm) minimum  
 mounting screw thread engagement.

**NPT Type Mounting Holes:**  
 1000 and 3000 psi NPT Types:  
 Mounting hole screw thread  
 shall be 1/4" - 20.  
 Minimum thread engagement  
 depth is 0.250" (6.35 mm)  
 Hole spacing is 35 mm  
 center to center.



**Mounting Screws:**  
 Standard 1000 and 3000 psi  
 models use two, self-locking 1/4"- 20 socket head cap  
 screws (provided).  
 Recommended tightening torque: 150 in lb (16.95 N-m).

**⚠ Important:** When using spacers, make  
 certain to maintain the 0.250" (6.35 mm) minimum  
 mounting screw thread engagement.

Release date: 2011-02-11 14:17 Date of issue: 2011-02-11 906604\_ENG.xml