

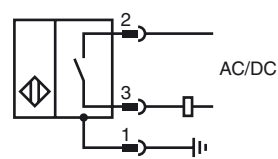
Model Number

NJ2-D-US-1.500-V12
Cylinder Position Switch

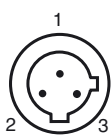
Features

- 2-wire AC/DC
- Weld Immune
- Sensing range 2 mm
- 3000 psi rating

Connection



Pinout



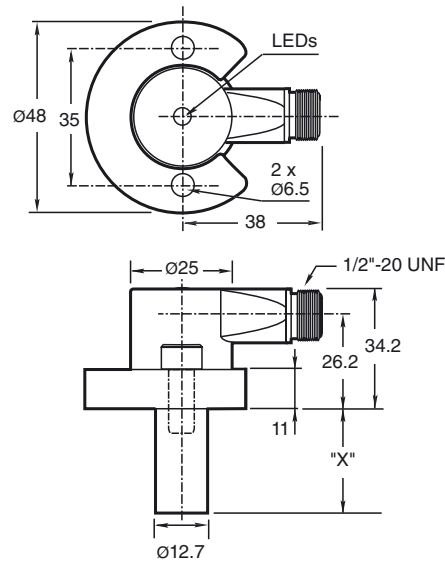
Wire colors

1	GN	(green)
2	RD/BK	(red/black)
3	RD/WH	(red/white)

Accessories

- V12-G-YE2M-PVC**
Connecting cable, 1/2" - 20 UNF, 3-pin, PVC cable
- V12-W-YE2M-PVC**
Connecting cable, 1/2" - 20 UNF, 3-pin, PVC cable
- SPACER 0.160 TO 0.375 : X.XXX"**
Spacer for cylinder switches
- SPACER 0.380 TO 0.875 : X.XXX"**
Spacer for cylinder switches

Dimensions



Technical Data

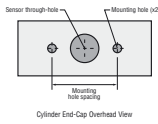
General specifications		
Switching element function		NO contact
Rated operating distance	s_n	2 mm
Installation		flush
Output polarity		AC/DC NO
Assured operating distance	s_a	0 ... 1.62 mm
Reduction factor r_{AI}		0.4
Reduction factor r_{304}		0.85
Nominal ratings		
Operating voltage	U_B	20 ... 250 V AC/DC
Switching frequency	f	0 ... 20 Hz
Hysteresis	H	10 ... 20 % 15 typ.
Reverse polarity protection		yes
Short-circuit protection		yes
Voltage drop	U_d	≤ 7 V
Momentary current (20 ms, 0.1 Hz)		≤ 3 A
Operating current	I_L	8 ... 300 mA
Off-state current	I_r	< 1.7 mA
Mag. Field strength, AC fields		250 mT
Mag. Field strength, DC fields		100 mT
Limit data		
Operating pressure dynamically		3000 psi
Indicators/operating means		
LED green		Power on
LED red		Output status
LED red/green		Short circuit/overload indication
Standard conformity		
Standards		EN 60947-5-2
Ambient conditions		
Ambient temperature		-25 ... 70 °C (-13 ... 158 °F)
Mechanical specifications		
Connection type		Device connector 1/2"-20 UN , 3-pin
Protection degree		IP67
Material		Housing: zinc Probe: aluminum
Note		X = 1.50 in (38.1 mm)

Approvals and certificates

UL approval	cULus Listed, General Purpose
CSA approval	cCSAus Listed, General Purpose

Release date: 2012-11-22 10:01 Date of issue: 2012-11-22 906591_eng.xml

NPT Type Mounting Holes:
 1000 and 3000 psi NPT Types:
 Mounting hole screw thread
 shall be 1/4" - 20.
 Minimum thread engagement
 depth is 0.250" (6.35 mm)
 Hole spacing is 35 mm
 center to center.



Mounting Screws:
 Standard 1000 and 3000 psi
 models use two, self-locking 1/4"- 20 socket head cap
 screws (provided).
 Recommended tightening torque: 150 in lb (16.95 N-m).

! **Important:** When using spacers, make
 certain to maintain the 0.250" (6.35 mm) minimum
 mounting screw thread engagement.