



**Model Number**

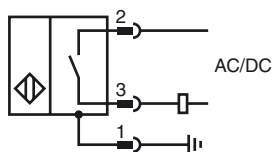
**NJ2-D-US-0.837-V93**

Cylinder Position Switch

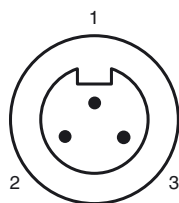
**Features**

- 2-wire AC/DC
- Weld Immune
- Sensing range 2 mm
- 3000 psi rating

**Connection**



**Pinout**



**Wire colors**

1	GN	(green)
2	BK	(black)
3	WH	(white)

**Accessories**

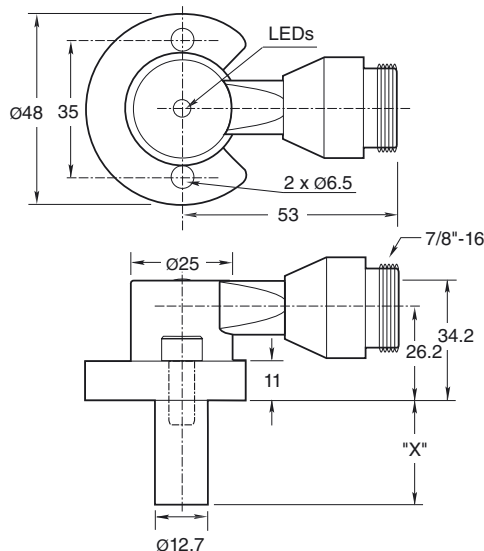
**V93-G-YE2M-STOOW**

Female connector, 7/8" - 16 UNF, 3-pin, PUR cable

**SPACER 0.160 TO 0.375 : X.XXX"**

Spacer for cylinder switches

**Dimensions**



**Technical Data**

**General specifications**

Switching element function		Normally open
Rated operating distance	$s_n$	2 mm
Installation		flush
Output polarity		AC/DC NO
Assured operating distance	$s_a$	0 ... 1.62 mm
Reduction factor $r_{AI}$		0.4
Reduction factor $r_{304}$		0.85

**Nominal ratings**

Operating voltage	$U_B$	20 ... 250 V AC/DC
Switching frequency	$f$	0 ... 20 Hz
Hysteresis	$H$	10 ... 20 % 15 typ.
Reverse polarity protected		yes
Short-circuit protection		yes

**Voltage drop**

$U_d$	$\leq 7$ V
-------	------------

Momentary current  $\leq 3$  A

Operating current  $I_L$  8 ... 300 mA

Off-state current  $I_r$   $\leq 1.7$  mA

Mag. Field strength, AC fields 250 mT

Mag. Field strength, DC fields 100 mT

**Limit data**

Operating pressure dynamically	3000 psi
--------------------------------	----------

**Indicators/operating means**

LED green	Power on
LED red	Output status
LED red/green	Short circuit/overload indication

**Standard conformity**

Standards	EN 60947-5-2
-----------	--------------

**Ambient conditions**

Ambient temperature	-25 ... 70 °C (-13 ... 158 °F)
---------------------	--------------------------------

**Mechanical specifications**

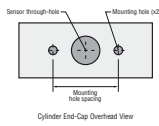
Connection type	Device connector 7/8"-16 UN , 3-pin
Protection degree	IP67
Material	Housing: zinc Probe: aluminum
Note	X = 0.837 in (21.3 mm)

**Approvals and certificates**

UL approval	cULus Listed, General Purpose
CSA approval	cCSAus Listed, General Purpose

Release date: 2012-05-03 16:10 Date of issue: 2012-05-03 906572\_eng.xml

**NPT Type Mounting Holes:**  
1000 and 3000 psi NPT Types:  
Mounting hole screw thread  
shall be 1/4" - 20.  
Minimum thread engagement  
depth is 0.250" (6.35 mm)  
Hole spacing is 35 mm  
center to center.



**Mounting Screws:**  
Standard 1000 and 3000 psi  
models use two, self-locking 1/4"- 20 socket head cap  
screws (provided).  
Recommended tightening torque: 150 in lb (16.95 N-m).

**Important:** When using spacers, make  
certain to maintain the 0.250" (6.35 mm) minimum  
mounting screw thread engagement.