



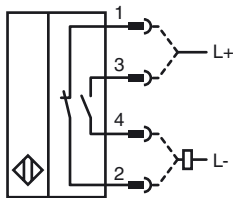
**Model Number**

NCN40+U4+Z2-V1

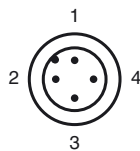
**Features**

- 40 mm not embeddable

**Connection**



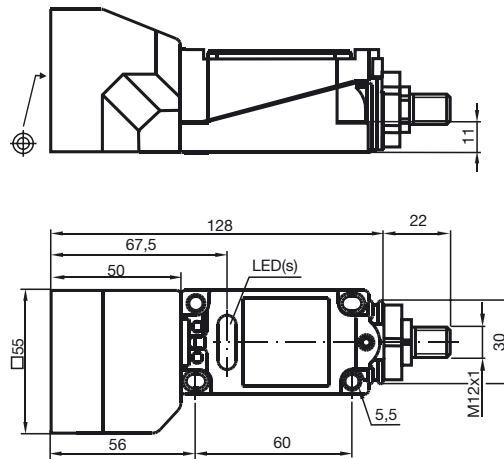
**Pinout**



Wire colors in accordance with EN 60947-5-2

1	BN
2	WH
3	BU
4	BK

**Dimensions**



**Technical Data**

**General specifications**

Switching element function	DC	NO/NC
Rated operating distance	$s_n$	40 mm
Installation		not embeddable
Output polarity		DC
Assured operating distance	$s_a$	0 ... 32.4 mm
Reduction factor $r_{Al}$		0.45
Reduction factor $r_{Cu}$		0.45
Reduction factor $r_{V2A}$		0.8

**Nominal ratings**

Operating voltage	$U_B$	5 ... 60 V
Switching frequency	$f$	0 ... 100 Hz
Hysteresis	$H$	1 ... 10 typ. 5 %
Reverse polarity protected		tolerant
Short-circuit protection		pulsing
Voltage drop	$U_d$	$\leq 5$ V
Operating current	$I_L$	2 ... 200 mA
Lowest operating current	$I_m$	2 mA
Off-state current	$I_r$	0 ... 1 mA typ. 0.7 mA
Indication of the switching state		LED, yellow

**Ambient conditions**

Ambient temperature	-25 ... 70 °C (-13 ... 158 °F)
Storage temperature	-25 ... 85 °C (-13 ... 185 °F)

**Mechanical specifications**

Connection type	Device connector M12 x 1 , 4-pin
Housing material	PBT/metal
Sensing face	PBT
Protection degree	IP68

**Compliance with standards and directives**

Standard conformity	
Standards	EN 60947-5-2:2007 IEC 60947-5-2:2007

**Approvals and certificates**

UL approval	cULus Listed, General Purpose
CSA approval	cCSAus Listed, General Purpose
CCC approval	Certified by China Compulsory Certification (CCC)

Release date: 2010-11-20 16:08 Date of issue: 2010-11-20 906187\_ENG.xml