



Model number

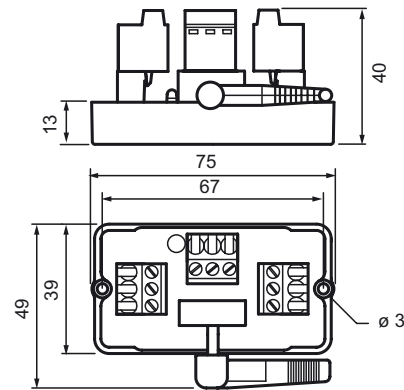
VAZ-RK-P-TEE-S

AS-Interface one port segment protector with built in switch

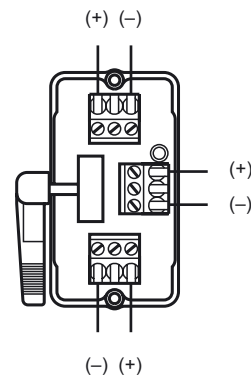
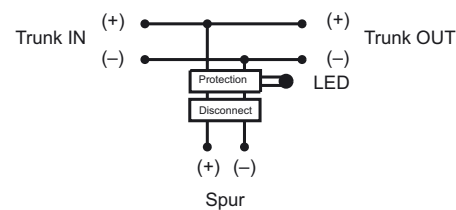
Features

- Protected single drop Tee with switch for AS-Interface
- LED status indication
- Switched power supply

Dimensions



Electrical connection



Technical data

General specifications

Description	AS-Interface one port segment protector with built in switch
-------------	--

Indicators/operating means

LED Overload	Led red: Output overloaded or shorted
--------------	---------------------------------------

Electrical specifications

Rated operational voltage	U_e	26.5 ... 31.6 V from AS-Interface
Rated operational current	I_e	8 A
Maximum safe voltage	U_m	35 V

Interface

Protocol	AS-Interface
----------	--------------

Output

Number/Type	1/protected prop connector for 1 node, and disconnect switch	
Current limit	240 mA	
Voltage drop	U_d	< 1 V
Short-circuit current		≤ 28 mA

Ambient conditions

Ambient temperature	-40 ... 85 °C (-40 ... 185 °F)
Storage temperature	-40 ... 85 °C (-40 ... 185 °F)

Mechanical specifications

Protection degree	IP20
Connection	terminals: trunk in, trunk out and 1 drop