



Model Number

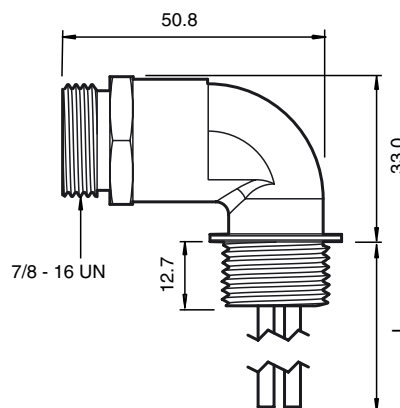
1/2" NPT-V93-W-.3M

Female receptacle, 7/8" UN / 1/2" NPT, 3-pin

Features

- Front/screw mounting
- Operating voltage AC / DC

Dimensions



Technical data

General specifications

Number of pins	3
Construction type	right angle
Connection 1	female connector
Threading 1	7/8"

Electrical specifications

Operating voltage	U_B	max 600 V AC/DC
Operating current		max. 13 A

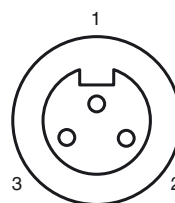
Ambient conditions

Ambient temperature	-40 ... 105 °C (-40 ... 221 °F)
---------------------	---------------------------------

Mechanical specifications

Protection degree	IP67	
Connection	7/8"-16 UN connector	
Material	Diecast zinc	
Contacts	gold plated copper alloy	
Slotted nut	clear anodized aluminium	
Sleeve connector	yellow PVC	
Cable		
Cores	3 x 1.5 mm ²	
Length	L	0.3 m
Note		1/2" - 14 NPT installation thread

Electrical connection



Electrical connection

1	GN/YE
2	BK
3	WH