



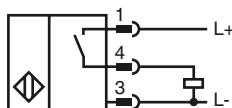
Model Number

NJ2-FD1-E2-1.875-V1-T

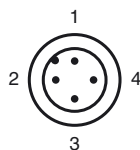
Features

- 3-wire DC
- Weld Immune
- Sensing range 2 mm
- 5000 psi rating
- High temperature model

Connection



Pinout



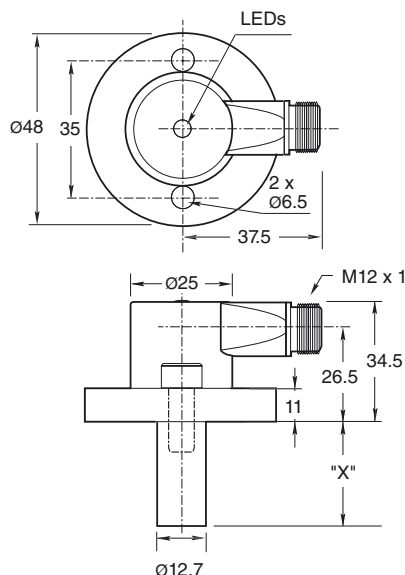
Wire colors in accordance with EN 60947-5-2

- | | |
|---|----|
| 1 | BN |
| 2 | WH |
| 3 | BU |
| 4 | BK |

Accessories

- V1-W-2M-PUR**
Cable connector
- V1-G-2M-PUR**
Cable connector
- V1-G-2M-PUR H/S**
Cable connector
- V1-W-2M-PUR H/S**
Cable connector

Dimensions

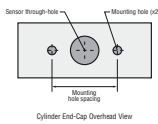


Technical Data

General specifications			
Switching element function		PNP	NO
Rated operating distance	s_n	2 mm	
Installation		embeddable	
Output polarity		DC	NO
Assured operating distance	s_a	0 ... 1.62 mm	
Reduction factor r_{Al}		0.4	
Reduction factor r_{V2A}		0.85	
Nominal ratings			
Operating voltage	U_B	10 ... 30 V DC	
Switching frequency	f	≤ 250 Hz	
Hysteresis	H	10 ... 20 % 15 typ.	
Short-circuit protection		yes	
Voltage drop	U_d	≤ 2 V	
Operating current	I_L	≤ 100 mA	
Off-state current	I_r	< 100 μA	
No-load supply current	I_0	≤ 35 mA	
Mag. Field strength, AC fields		250 mT	
Mag. Field strength, DC fields		100 mT	
Limit data			
Operating pressure dynamically		5000 psi	
Indicators/operating means			
LED green		Power on	
LED yellow		Output status	
Standard conformity			
Standards		EN 60947-5-2	
Ambient conditions			
Ambient temperature		-25 ... 100 °C (-13 ... 212 °F) on probe	
		-25 ... 85 °C (-13 ... 185 °F) on sensor	
Mechanical specifications			
Connection type		V1 connector (M12 x 1)	
Protection degree		IP67	
Material		Housing: zinc Probe: stainless steel Flange: steel	
Note		X = 1.875 in (47.6 mm)	
Approvals and certificates			
UL approval		cULus Listed, General Purpose	
CSA approval		cCSAus Listed, General Purpose	

Release date: 2010-05-14 20:11 Date of issue: 2010-05-14 904808_ENG.xml

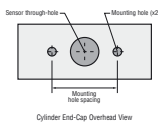
NPT Type Mounting Holes:
 1000 and 3000 psi NPT Types:
 Mounting hole screw thread
 shall be 1/4" - 20.
 Minimum thread engagement
 depth is 0.250" (6.35 mm)
 Hole spacing is 35 mm
 center to center.



Mounting Screws:
 Standard 1000 and 3000 psi
 models use two, self-locking 1/4"- 20 socket head cap
 screws (provided).
 Recommended tightening torque: 150 in lb (16.95 N-m).

⚠ Important: When using spacers, make
 certain to maintain the 0.250" (6.35 mm) minimum
 mounting screw thread engagement.

NPT Type Mounting Holes:
 1000 and 3000 psi NPT Types:
 Mounting hole screw thread
 shall be 1/4" - 20.
 Minimum thread engagement
 depth is 0.250" (6.35 mm)
 Hole spacing is 35 mm
 center to center.



Mounting Screws:
 Standard 1000 and 3000 psi
 models use two, self-locking 1/4"- 20 socket head cap
 screws (provided).
 Recommended tightening torque: 150 in lb (16.95 N-m).

⚠ Important: When using spacers, make
 certain to maintain the 0.250" (6.35 mm) minimum
 mounting screw thread engagement.

Release date: 2010-05-14 20:11 Date of issue: 2010-05-14 904808_ENG.xml