



**Model Number**

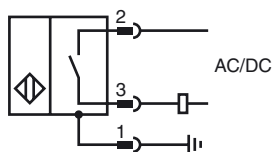
**NJ2-C-US-1.025-V93**

Cylinder Position Switch

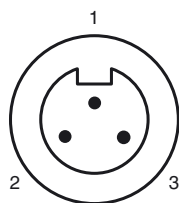
**Features**

- 2-wire AC/DC
- Weld Immune
- Sensing range 2 mm
- 250 psi rating

**Connection**



**Pinout**



**Wire colors**

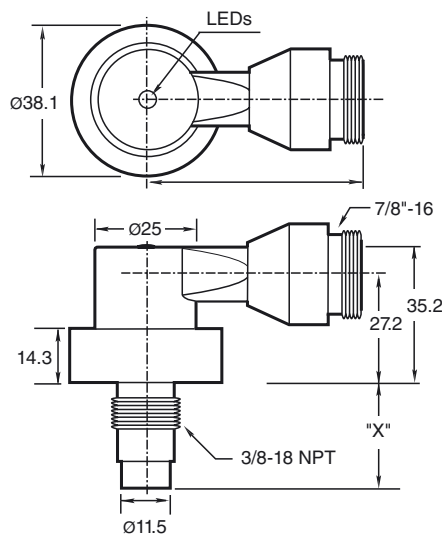
1	GN
2	BK
3	WH

**Accessories**

**V93-G-YE2M-STOOW**

Female connector, 7/8" - 16 UNF, 3-pin, PUR cable

**Dimensions**



**Technical Data**

**General specifications**

Switching element function		Normally open
Rated operating distance	$s_n$	2 mm
Installation		embeddable
Output polarity		AC/DC NO
Assured operating distance	$s_a$	0 ... 1.62 mm
Reduction factor $r_{AI}$		0.4
Reduction factor $r_{V2A}$		0.85

**Nominal ratings**

Operating voltage	$U_B$	20 ... 250 V AC/DC
Switching frequency	$f$	0 ... 20 Hz
Hysteresis	$H$	10 ... 20 % 15 typ.
Reverse polarity protected		yes
Short-circuit protection		yes
Voltage drop	$U_d$	≤ 7 V

Momentary current (20 ms, 0.1 Hz)		≤ 3 A
Operating current	$I_L$	8 ... 300 mA
Off-state current	$I_r$	≤ 1.7 mA

Mag. Field strength, AC fields		250 mT
Mag. Field strength, DC fields		100 mT

**Limit data**

Operating pressure dynamically		250 psi
--------------------------------	--	---------

**Indicators/operating means**

LED green		Power on
LED red		Output status
LED red/green		Short circuit/overload indication

**Standard conformity**

Standards		EN 60947-5-2
-----------	--	--------------

**Ambient conditions**

Ambient temperature		-25 ... 70 °C (-13 ... 158 °F)
---------------------	--	--------------------------------

**Mechanical specifications**

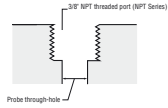
Protection degree		IP67
Material		Housing: zinc Probe: aluminum
Note		X = 1.025 in (26 mm)

**Approvals and certificates**

UL approval		cULus Listed, General Purpose
CSA approval		cCSAus Listed, General Purpose

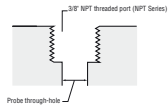
Release date: 2011-02-11 14:16 Date of issue: 2011-02-11 904756\_ENG.xml

**Probe Through-Hole:**  
Standard probe hole ports are tapped with size 3/8" NPT threading for C series. The minimum probe through-hole diameter is 0.560" (14.22 mm).



**Important:** When using spacers, make certain to maintain the 0.250" (6.35 mm) minimum mounting screw thread engagement.

**Probe Through-Hole:**  
Standard probe hole ports are tapped with size 3/8" NPT threading for C series. The minimum probe through-hole diameter is 0.560" (14.22 mm).



**Important:** When using spacers, make certain to maintain the 0.250" (6.35 mm) minimum mounting screw thread engagement.

Release date: 2011-02-11 14:16 Date of issue: 2011-02-11 904756\_ENG.xml