



Model Number

IPG-G4-B7-V15

DeviceNet Bus coupler for IDENT-I System P

Features

- 2 read/write stations can be connected
- Connection to bus and of read/write stations via EMC proven plug connection
- LED status indicator of bus communication and read/write stations

Matching system components

IPT-FP

Read/write station

IPT1-FP

Read/write station

U-P3-R4

Base for read/write station

U-P3-R4-V15

Base for read/write station, plug-in connection

U-P3V4A-R4

Base for read/write station, stainless steel version

Accessories

V15-G-YE10M-PVC-V15-G-ABG-Y908

Connection cable

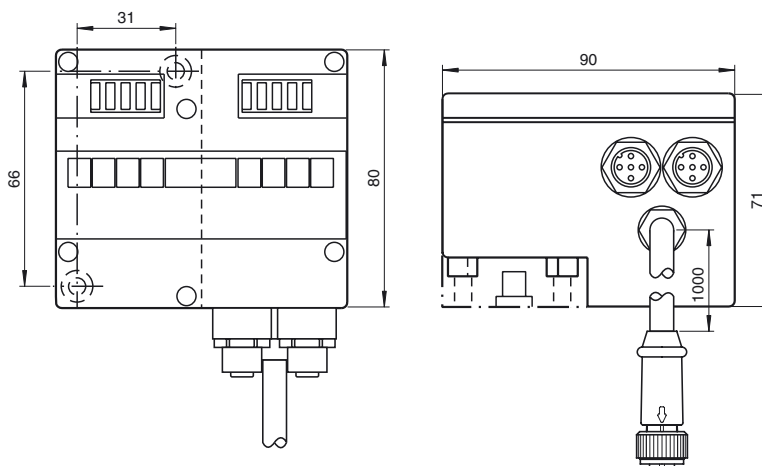
V15-G-YE25M-PVC-V15-G-ABG-Y908

Connection cable

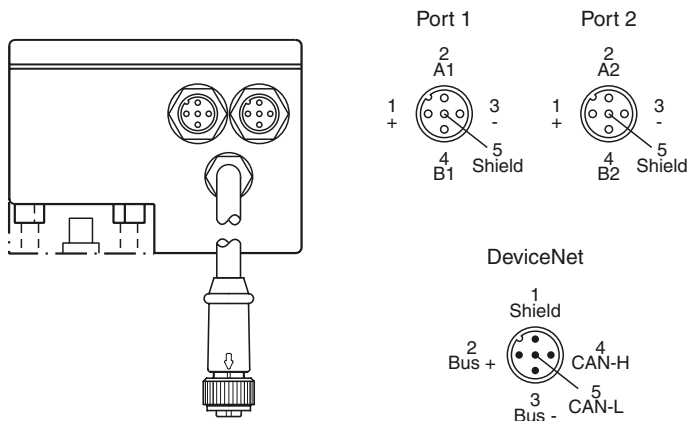
V15-G-YE5M-PVC-V15-G-ABG-Y9047

Connection cable

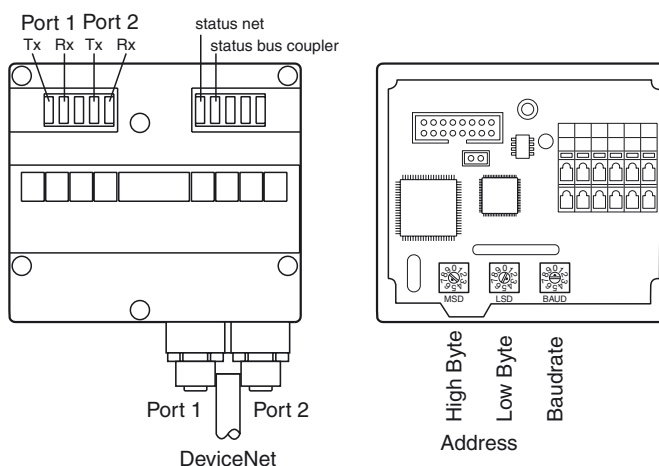
Dimensions



Electrical connection



Indicating / Operating means



Technical data

Electrical specifications

Rated operational voltage	U _e	11 ... 26 V DC
Current consumption		≤ 160 mA at U _e = 11 V DC ≤ 100 mA at U _e = 24 V DC

Interface

Connection of	DeviceNet
Transfer rate	125, 250, 500 kBit/s selectable via BCD switch

Release date: 2010-04-16 21:24 Date of issue: 2010-04-16 904735_ENG.xml

Address setting	selectable via BCD switch
Cable length	1 m
Ambient conditions	
Ambient temperature	-25 ... 70 °C (-13 ... 158 °F)
Storage temperature	-40 ... 85 °C (-40 ... 185 °F)
Climatic conditions	air humidity max. 90 %
Mechanical specifications	
Protection degree	IP67
Connection	Read/write stations: M12 plug connection, 5-pin, shielded DeviceNet : 5-pin CombiCon connector according to DeviceNet specification
Material	
Housing	PBT
Installation	snap-on to 35 mm standard rail or screw fixing

Release date: 2010-04-16 21:24 Date of issue: 2010-04-16 904735_ENG.xml