



Model Number

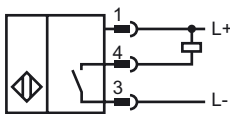
NJ2-FD1-E0-1.875-V1-T-Y904488

Cylinder Position Switch

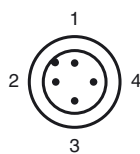
Features

- Weld Immune
- Sensing range 2 mm
- 3-wire DC
- 5000 psi rating
- High temperature model

Connection



Pinout



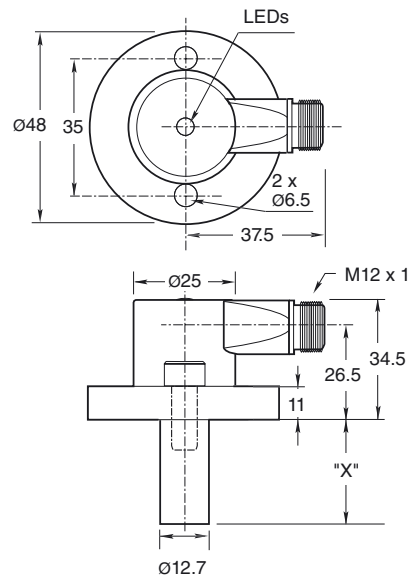
Wire colors in accordance with EN 60947-5-2

- | | |
|---|----|
| 1 | BN |
| 2 | WH |
| 3 | BU |
| 4 | BK |

Accessories

- V1-G-OR2M-POC**
Cable connector
- V1-G-2M-PUR H/S**
Cable connector
- V1-W-2M-PUR H/S**
Cable connector

Dimensions



Technical Data

General specifications

Switching element function		NPN normally open
Rated operating distance	s_n	2 mm
Installation		embeddable
Output polarity		DC NO
Assured operating distance	s_a	0 ... 1.62 mm
Reduction factor r_{Al}		0.4
Reduction factor r_{V2A}		0.85

Nominal ratings

Operating voltage	U_B	10 ... 30 V DC
Switching frequency	f	≤ 250 Hz
Hysteresis	H	10 ... 20 % 15 typ.
Short-circuit protection		yes
Voltage drop	U_d	≤ 2 V
Operating current	I_L	≤ 100 mA
Off-state current	I_r	< 100 µA
No-load supply current	I_0	≤ 35 mA

Mag. Field strength, AC fields	250 mT
Mag. Field strength, DC fields	100 mT

Limit data

Operating pressure dynamically	5000 psi
--------------------------------	----------

Indicators/operating means

LED green	Power on
LED yellow	Output status

Standard conformity

Standards	EN 60947-5-2
-----------	--------------

Ambient conditions

Ambient temperature	-25 ... 100 °C (-13 ... 212 °F) on probe
	-25 ... 85 °C (-13 ... 185 °F) on sensor

Mechanical specifications

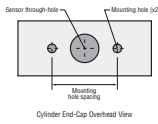
Connection type	V1 socket connector (M12 x 1)
Protection degree	IP67
Material	Housing: zinc Probe: stainless steel Flange: steel
Note	X = 1.875 in (47.6 mm)

Approvals and certificates

UL approval	cULus Listed, General Purpose
CSA approval	cCSAus Listed, General Purpose

Release date: 2010-05-14 20:11 Date of issue: 2010-05-14 904488_ENG.xml

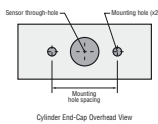
NPT Type Mounting Holes:
 1000 and 3000 psi NPT Types:
 Mounting hole screw thread shall be 1/4" - 20.
 Minimum thread engagement depth is 0.250" (6.35 mm)
 Hole spacing is 35 mm center to center.



Mounting Screws:
 Standard 1000 and 3000 psi models use two, self-locking 1/4"- 20 socket head cap screws (provided).
 Recommended tightening torque: 150 in lb (16.95 N-m).

Important: When using spacers, make certain to maintain the 0.250" (6.35 mm) minimum mounting screw thread engagement.

NPT Type Mounting Holes:
 1000 and 3000 psi NPT Types:
 Mounting hole screw thread shall be 1/4" - 20.
 Minimum thread engagement depth is 0.250" (6.35 mm)
 Hole spacing is 35 mm center to center.



Mounting Screws:
 Standard 1000 and 3000 psi models use two, self-locking 1/4"- 20 socket head cap screws (provided).
 Recommended tightening torque: 150 in lb (16.95 N-m).

Important: When using spacers, make certain to maintain the 0.250" (6.35 mm) minimum mounting screw thread engagement.

Release date: 2010-05-14 20:11 Date of issue: 2010-05-14 904488_ENG.xml