



Model Number

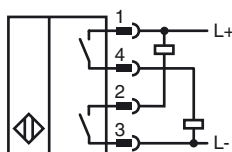
NJ2-FD-E02-1.875-V1

Cylinder Position Switch

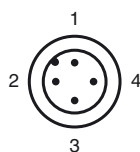
Features

- 4-wire DC
- Weld Immune
- Sensing range 2 mm
- 5000 psi rating

Connection



Pinout



Wire colors in accordance with EN 60947-5-2

- | | |
|---|----|
| 1 | BN |
| 2 | WH |
| 3 | BU |
| 4 | BK |

Accessories

V1-G-2M-PVC

Cable connector

V1-W-2M-PVC

Cable connector

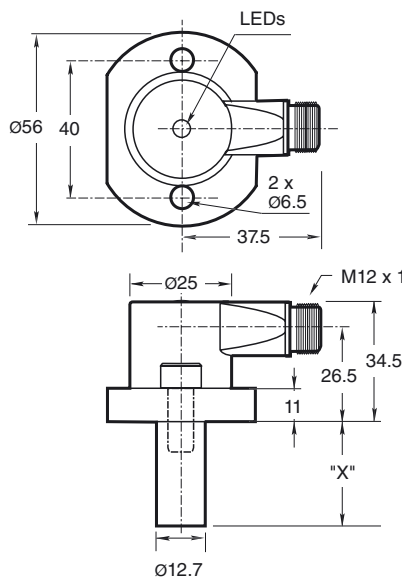
V1-G-2M-PUR H/S

Cable connector

V1-W-2M-PUR H/S

Cable connector

Dimensions



Technical Data

General specifications

Switching element function		NPN & PNP, NO
Rated operating distance	s_n	2 mm
Installation		embeddable
Output polarity		DC NO
Assured operating distance	s_a	0 ... 1.62 mm
Reduction factor r_{A1}		0.4
Reduction factor r_{V2A}		0.85

Nominal ratings

Operating voltage	U_B	10 ... 30 V DC
Switching frequency	f	0 ... 30 Hz
Hysteresis	H	10 ... 20 typ. 15 %
Reverse polarity protected		yes
Short-circuit protection		yes
Voltage drop	U_d	

Operating current	I_L	≤ 200 mA
Off-state current	I_r	≤ 100 μ A

No-load supply current	I_0	≤ 35 mA
Mag. Field strength, AC fields		250 mT
Mag. Field strength, DC fields		100 mT

Limit data

Operating pressure dynamically		5000 psi
--------------------------------	--	----------

Indicators/operating means

LED green		Power on
LED yellow		Output status

Standard conformity

Standards		EN 60947-5-2
-----------	--	--------------

Ambient conditions

Ambient temperature		-25 ... 70 °C (-13 ... 158 °F)
---------------------	--	--------------------------------

Mechanical specifications

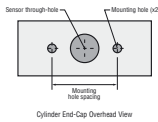
Connection type		V1 socket connector (M12 x 1)
Protection degree		IP67
Material		Housing: zinc Probe: stainless steel
Note		X = 1.875 in (47.6 mm)

Approvals and certificates

UL approval		cULus Listed, General Purpose
CSA approval		cCSAus Listed, General Purpose

Release date: 2010-05-14 20:10 Date of issue: 2010-05-14 904484_ENG.xml

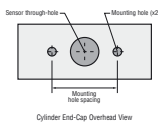
NPT Type Mounting Holes:
 1000 and 3000 psi NPT Types:
 Mounting hole screw thread
 shall be 1/4" - 20.
 Minimum thread engagement
 depth is 0.250" (6.35 mm)
 Hole spacing is 35 mm
 center to center.



Mounting Screws:
 Standard 1000 and 3000 psi
 models use two, self-locking 1/4"- 20 socket head cap
 screws (provided).
 Recommended tightening torque: 150 in lb (16.95 N-m).

⚠ Important: When using spacers, make
 certain to maintain the 0.250" (6.35 mm) minimum
 mounting screw thread engagement.

NPT Type Mounting Holes:
 1000 and 3000 psi NPT Types:
 Mounting hole screw thread
 shall be 1/4" - 20.
 Minimum thread engagement
 depth is 0.250" (6.35 mm)
 Hole spacing is 35 mm
 center to center.



Mounting Screws:
 Standard 1000 and 3000 psi
 models use two, self-locking 1/4"- 20 socket head cap
 screws (provided).
 Recommended tightening torque: 150 in lb (16.95 N-m).

⚠ Important: When using spacers, make
 certain to maintain the 0.250" (6.35 mm) minimum
 mounting screw thread engagement.

Release date: 2010-05-14 20:10 Date of issue: 2010-05-14 904484_ENG.xml