



### Model Number

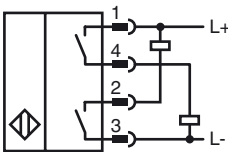
**NJ2-D-E02-1.025-V1**

Cylinder Position Switch

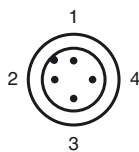
### Features

- 4-wire DC
- Weld Immune
- Sensing range 2 mm
- 3000 psi rating

### Connection



### Pinout



Wire colors in accordance with EN 60947-5-2

1	BN	(brown)
2	WH	(white)
3	BU	(blue)
4	BK	(black)

### Accessories

#### V1-G-2M-PVC

Cable socket, M12, 4-pin, PVC cable

#### V1-W-2M-PVC

Cable socket, M12, 4-pin, PVC cable

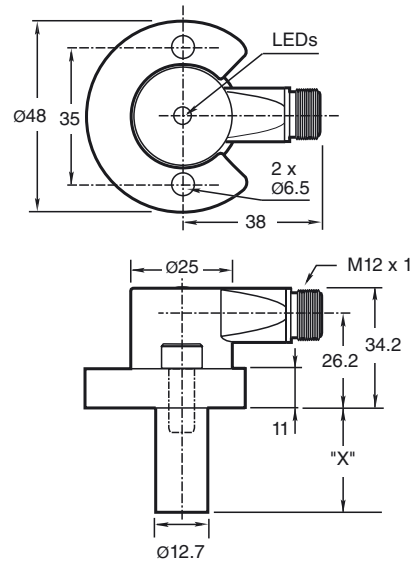
#### SPACER 0.160 TO 0.375 : X.XXX"

Spacer for cylinder switches

#### SPACER 0.380 TO 0.875 : X.XXX"

Spacer for cylinder switches

### Dimensions



### Technical Data

#### General specifications

Switching element function		NPN & PNP, NO
Rated operating distance	$s_n$	2 mm
Installation		flush
Output polarity		DC NO
Assured operating distance	$s_a$	0 ... 1.62 mm
Reduction factor $r_{AI}$		0.4
Reduction factor $r_{304}$		0.85

#### Nominal ratings

Operating voltage	$U_B$	10 ... 30 V DC
Switching frequency	$f$	30 Hz
Hysteresis	$H$	10 ... 20 typ. 15 %
Reverse polarity protection		yes
Short-circuit protection		yes
Voltage drop	$U_d$	$\leq 2$ V DC
Operating current	$I_L$	$\leq 200$ mA
Off-state current	$I_r$	$\leq 100$ $\mu$ A
No-load supply current	$I_0$	$\leq 35$ mA
Mag. Field strength, AC fields		250 mT
Mag. Field strength, DC fields		100 mT

#### Limit data

Operating pressure dynamically		3000 psi
--------------------------------	--	----------

#### Indicators/operating means

LED green	Power on
LED yellow	Output status

#### Standard conformity

Standards	EN 60947-5-2
-----------	--------------

#### Ambient conditions

Ambient temperature	-25 ... 70 °C (-13 ... 158 °F)
---------------------	--------------------------------

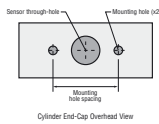
#### Mechanical specifications

Connection type	Device connector M12 x 1, 4-pin
Protection degree	IP67
Material	Housing: zinc Probe: aluminum
Note	X = 1.025 in (26 mm)

#### Approvals and certificates

UL approval	cULus Listed, General Purpose
CSA approval	cCSAus Listed, General Purpose

**NPT Type Mounting Holes:**  
 1000 and 3000 psi NPT Types:  
 Mounting hole screw thread  
 shall be 1/4" - 20.  
 Minimum thread engagement  
 depth is 0.250" (6.35 mm)  
 Hole spacing is 35 mm  
 center to center.



**Mounting Screws:**  
 Standard 1000 and 3000 psi  
 models use two, self-locking 1/4"- 20 socket head cap  
 screws (provided).  
 Recommended tightening torque: 150 in lb (16.95 N-m).

**!** **Important:** When using spacers, make  
 certain to maintain the 0.250" (6.35 mm) minimum  
 mounting screw thread engagement.