



Model Number

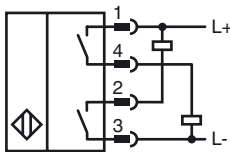
NJ2-C-E02-1.025-V1

Cylinder Position Switch

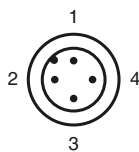
Features

- 4-wire DC
- Weld Immune
- Sensing range 2 mm
- 250 psi rating

Connection



Pinout



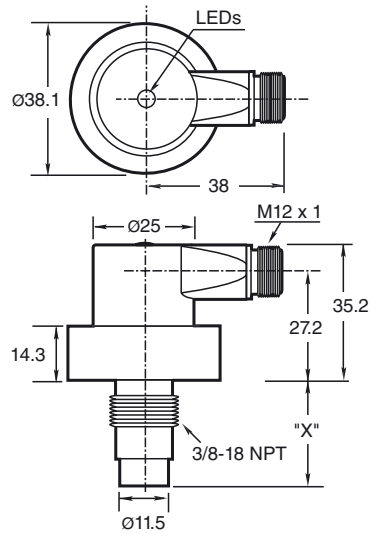
Wire colors in accordance with EN 60947-5-2

- | | |
|---|----|
| 1 | BN |
| 2 | WH |
| 3 | BU |
| 4 | BK |

Accessories

- V1-G-2M-PVC**
Cable connector
- V1-W-2M-PVC**
Cable connector

Dimensions



Technical Data

General specifications

Switching element function		NPN & PNP, NO
Rated operating distance	s_n	2 mm
Installation		embeddable
Output polarity		DC
Assured operating distance	s_a	0 ... 1.62 mm
Reduction factor r_{AI}		0.4
Reduction factor r_{V2A}		0.85

Nominal ratings

Operating voltage	U_B	10 ... 30 V DC
Switching frequency	f	0 ... 30 Hz
Hysteresis	H	10 ... 20 % 15 typ.
Reverse polarity protected		yes
Short-circuit protection		yes
Voltage drop	U_d	

Operating current	I_L	≤ 2 V DC
Off-state current	I_r	≤ 200 mA

No-load supply current	I_0	≤ 100 μA
Mag. Field strength, AC fields		≤ 35 mA
Mag. Field strength, DC fields		250 mT
		100 mT

Limit data

Operating pressure dynamically		250 psi
--------------------------------	--	---------

Indicators/operating means

LED green		Power on
LED yellow		Output status

Standard conformity

Standards		EN 60947-5-2
-----------	--	--------------

Ambient conditions

Ambient temperature		-25 ... 70 °C (-13 ... 158 °F)
---------------------	--	--------------------------------

Mechanical specifications

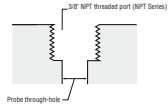
Connection type		V1 connector (M12 x 1), 4-pin
Protection degree		IP67
Material		Housing: zinc Probe: aluminum
Note		X = 1.025 in (26 mm)

Approvals and certificates

UL approval		cULus Listed, General Purpose
CSA approval		cCSAus Listed, General Purpose

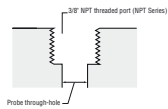
Release date: 2010-05-14 20:01 Date of issue: 2010-05-14 904458_ENG.xml

Probe Through-Hole:
Standard probe hole ports are tapped with size 3/8" NPT threading for C series. The minimum probe through-hole diameter is 0.560" (14.22 mm).



Important: When using spacers, make certain to maintain the 0.250" (6.35 mm) minimum mounting screw thread engagement.

Probe Through-Hole:
Standard probe hole ports are tapped with size 3/8" NPT threading for C series. The minimum probe through-hole diameter is 0.560" (14.22 mm).



Important: When using spacers, make certain to maintain the 0.250" (6.35 mm) minimum mounting screw thread engagement.

Release date: 2010-05-14 20:01 Date of issue: 2010-05-14 904458_ENG.xml