



Model Number

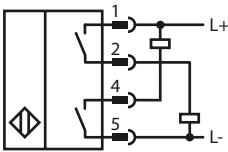
NJ1.5-PD-E02-1.250-V95

Proximity switch

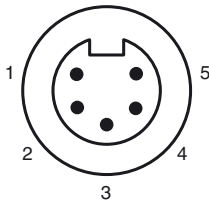
Features

- 4-wire DC
- Weld Immune
- Sensing range 1.5 mm
- 3000 psi rating

Connection



Pinout



Wire colors

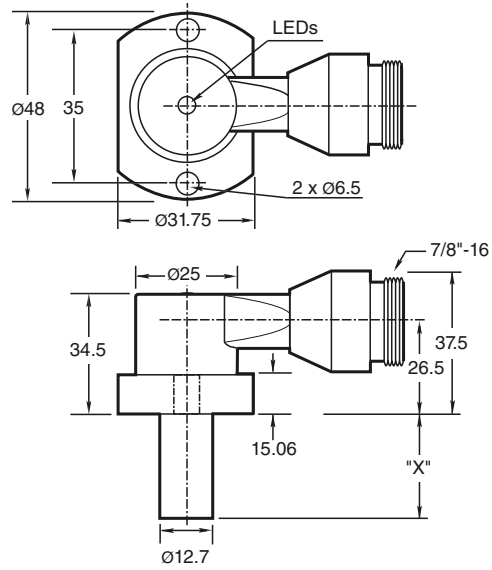
1	WH
2	RD
4	OR
5	BK

Accessories

V95-G-YE2M-STOOW

Female connector, 7/8" - 16 UNF, 5-pin, PUR cable

Dimensions



Technical Data

General specifications

Switching element function		NPN & PNP, NO
Rated operating distance	s_n	1.5 mm
Installation		flush
Output polarity		DC
Assured operating distance	s_a	0 ... 1.62 mm
Reduction factor r_{AI}		0.4
Reduction factor r_{304}		0.85

Nominal ratings

Operating voltage	U_B	10 ... 30 V DC
Switching frequency	f	30 Hz
Hysteresis	H	10 ... 20 typ. 15 %
Reverse polarity protection		yes
Short-circuit protection		yes
Voltage drop	U_d	≤ 2 V DC

Operating current	I_L	≤ 200 mA
Off-state current	I_r	≤ 100 μ A

No-load supply current	I_0	≤ 35 mA
------------------------	-------	--------------

Mag. Field strength, AC fields	250 mT
Mag. Field strength, DC fields	100 mT

Limit data

Operating pressure dynamically	3000 psi
--------------------------------	----------

Indicators/operating means

LED green	Power on
LED yellow	Output status

Standard conformity

Standards	EN 60947-5-2
-----------	--------------

Ambient conditions

Ambient temperature	-25 ... 70 °C (-13 ... 158 °F)
---------------------	--------------------------------

Mechanical specifications

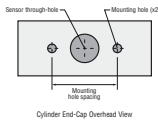
Connection type	Device connector 7/8"-16 UN , 5-pin
Protection degree	IP67
Material	Housing: zinc Probe: aluminum
Note	X = 1.250 in (31.8 mm)

Approvals and certificates

UL approval	cULus Listed, General Purpose
CSA approval	cCSAus Listed, General Purpose

Release date: 2013-01-21 09:49 Date of issue: 2013-01-21 904455_eng.xml

NPT Type Mounting Holes:
 1000 and 3000 psi NPT Types:
 Mounting hole screw thread
 shall be 1/4" - 20.
 Minimum thread engagement
 depth is 0.250" (6.35 mm)
 Hole spacing is 35 mm
 center to center.



Mounting Screws:
 Standard 1000 and 3000 psi
 models use two, self-locking 1/4"- 20 socket head cap
 screws (provided).
 Recommended tightening torque: 150 in lb (16.95 N-m).

Important: When using spacers, make
 certain to maintain the 0.250" (6.35 mm) minimum
 mounting screw thread engagement.