

**Model Number****KHD2-MTI-AB4**

Remote I/O adapter

Features

- Configurable as 1/4, 1/2, or 1/1 rack
- 100 % compatible to Allen-Bradley Remote I/O
- Discrete I/O communication only

Matching system components**IPT-FP**

Read/write station

IPT1-FP

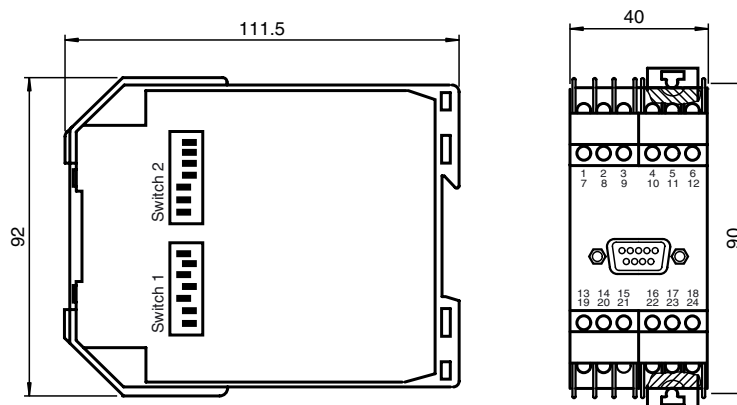
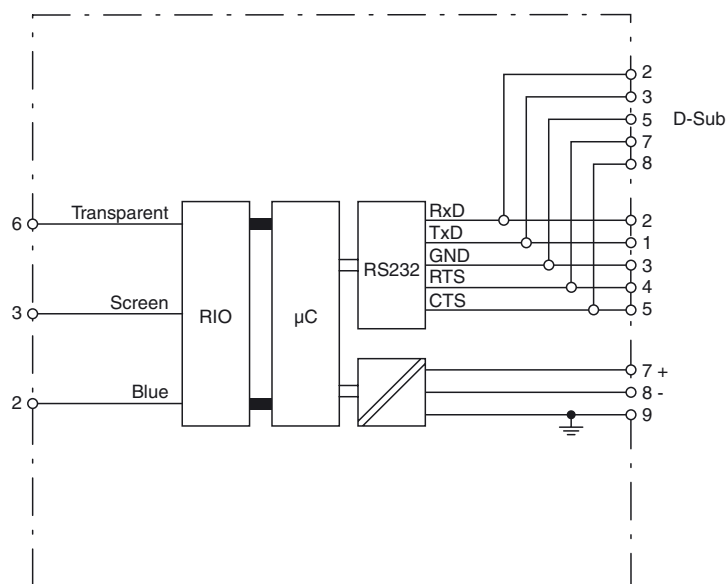
Read/write station

U-P4-RX

Base for read/write station

U-P3-RX

Base for read/write station

Dimensions**Electrical connection****Technical data****Indicators/operating means**

DIP-switch	setting the configuration
------------	---------------------------

Electrical specifications

Rated operational voltage	U_e	21 ... 27 V DC
Power consumption	P_0	max. 5 W

Interface 1

Connection of	Ident I System P read head with RS232 base
Physical	RS 232
Protocol	ASCII
Transfer rate	9600 Bit/s
Cable length	15 m

Interface 2

Physical	Allen Bradley RIO
Transfer rate	57.6 ... 230.4 kBit/s
Cable length	3000 m at 57.6 kBit/s 1000 m at 115.2 kBit/s at 230.4 kBit/s on request

Ambient conditions

Ambient temperature	0 ... 60 °C (32 ... 140 °F)
Storage temperature	-25 ... 85 °C (-13 ... 185 °F)

Climatic conditions air humidity max. 75 %

Mechanical specifications

Protection degree IP20 according to EN 60529

Connection terminals, max. core cross-section 2 x 2.5 mm², 9-pin Sub-D built-in connector

Material

Housing Makrolon 6485

Construction type K-System

Release date: 2010-03-30 20:09 Date of issue: 2010-03-30 904307_ENG.xml