

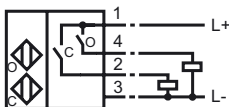
**Model Number**

NBN2-F581-200S6-E8-V1

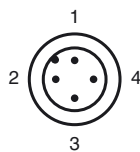
**Features**

- Extremely bright triple luminous band indication
- M12 plug can be rotated 0°, 45°, or 90°
- For use in direct- and alternating-field welding systems
- Completely halogen and silicon free

**Connection**



**Pinout**



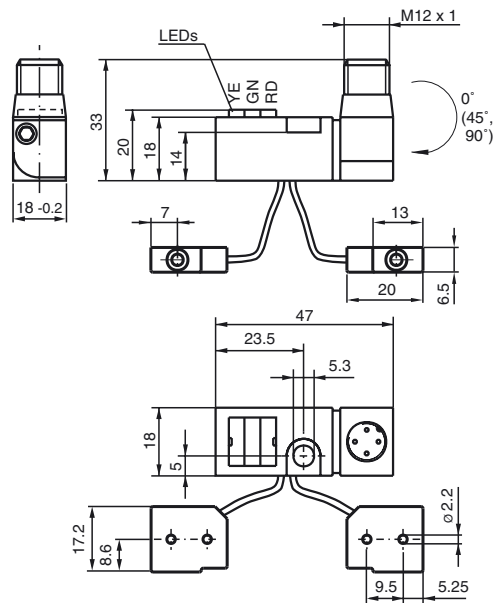
Wire colors in accordance with EN 60947-5-2

1	BN
2	WH
3	BU
4	BK

**Accessories**

- V1-G-OR2M-POC**  
Female cordset, M12, 4-pin, TPE cable, welding-bead resistant
- V1-G-2M-PUR H/S**  
Female cordset, M12, 4-pin, irradiated PUR cable
- V1-W-2M-PUR H/S**  
Female cordset, M12, 4-pin, irradiated PUR cable

**Dimensions**



**Technical Data**

General specifications		
Switching element function	PNP	Dual NO
Rated operating distance	$s_n$	2 mm
Installation	not embeddable	
Output polarity	DC	
Assured operating distance	$s_a$	0 ... 1.62 mm
Reduction factor $r_{Al}$	0.45	
Reduction factor $r_{Cu}$	0.35	
Reduction factor $r_{V2A}$	0.75	
Nominal ratings		
Operating voltage	$U_B$	10 ... 30 V DC
Switching frequency	$f$	0 ... 25 Hz
Reverse polarity protection	reverse polarity protected	
Short-circuit protection	pulsing	
Voltage drop	$U_d$	$\leq 3$ V
Operating current	$I_L$	0 ... 100 mA
Off-state current	$I_r$	$\leq 10 \mu A$
No-load supply current	$I_0$	$\leq 15$ mA
Constant magnetic field	B	100 mT
Alternating magnetic field	B	100 mT
Indicators/operating means		
LED POWER	LED, green	
Switching state	"Closed" = LED red (S02)/C "Open" = LED yellow (S01)/O	
Standard conformity		
EMC in accordance with	IEC / EN 60947-5-2:2004	
Standards	IEC / EN 60947-5-2:2004	
Ambient conditions		
Ambient temperature	-25 ... 70 °C (-13 ... 158 °F)	
Storage temperature	-40 ... 85 °C (-40 ... 185 °F)	
Mechanical specifications		
Connection type	Device connector M12 x 1 , 4-pin	
Flexible lead, housing-sensor	(200 ± 5) mm, PUR (halogen-free)	
Housing material	amplifier; PBT, PA6 + GD-ZN AL4 oscillators; PBT	
Protection degree	IP65	
Approvals and certificates		
UL approval	cULus Listed, General Purpose	
CSA approval	cCSAus Listed, General Purpose	
CCC approval	Products with a maximum operating voltage of $\leq 36$ V do not bear a CCC marking because they do not require approval.	

Release date: 2010-11-16 13:56 Date of issue: 2010-12-16 904163\_ENG.xml