

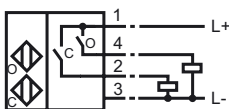
**Model Number**

NBN2-F581-100S6-E8-V1

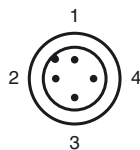
**Features**

- Extremely bright triple luminous band indication
- M12 plug with safety screw assembly adjustable in 45° grid
- For use in direct- and alternating-field welding systems
- Completely halogen and silicon free

**Connection**



**Pinout**



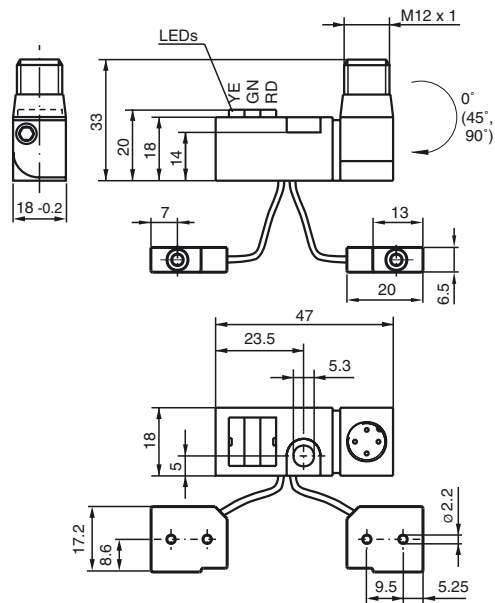
Wire colors in accordance with EN 60947-5-2

1	BN	(brown)
2	WH	(white)
3	BU	(blue)
4	BK	(black)

**Accessories**

- V1-G-OR2M-POC**  
Female cordset, M12, 4-pin, TPE cable, welding-bead resistant
- V1-G-2M-PUR H/S**  
Female cordset, M12, 4-pin, irradiated PUR cable
- V1-W-2M-PUR H/S**  
Female cordset, M12, 4-pin, irradiated PUR cable

**Dimensions**



**Technical Data**

General specifications		
Switching element function	PNP	Dual NO
Rated operating distance	$s_n$	2 mm
Installation		not embeddable
Output polarity		switched high
Assured operating distance	$s_a$	0 ... 1.62 mm
Reduction factor $r_{AI}$		0.45
Reduction factor $r_{Cu}$		0.35
Reduction factor $r_{303}$		0.75
Nominal ratings		
Operating voltage	$U_B$	10 ... 30 V DC
Switching frequency	$f$	0 ... 25 Hz
Reverse polarity protected		reverse polarity protected
Short-circuit protection		pulsing
Voltage drop	$U_d$	$\leq 3$ V
Operating current	$I_L$	0 ... 100 mA
Off-state current	$I_r$	$\leq 10$ $\mu$ A
No-load supply current	$I_0$	$\leq 15$ mA
Constant magnetic field	B	100 mT
Alternating magnetic field	B	100 mT
Operating voltage display		LED green
Indication of the switching state		Switching state "closed" = LED red (S2) switching state "open" = LED yellow (S1)
Standard conformity		
EMC in accordance with		IEC / EN 60947-5-2:2004
Standards		IEC / EN 60947-5-2:2004
Ambient conditions		
Ambient temperature		-25 ... 70 °C (-13 ... 158 °F)
Storage temperature		-40 ... 85 °C (-40 ... 185 °F)
Mechanical specifications		
Connection type		Device connector M12 x 1, 4-pin
Flexible lead, housing-sensor		(100 ± 5) mm, PUR (halogen-free)
Housing material		amplifier; PBT, PA6 + GD-ZN AL4 oscillators; PBT
Protection degree		IP65
Approvals and certificates		
UL approval		cULus Listed, General Purpose
CSA approval		cCSAus Listed, General Purpose
CCC approval		Products with a maximum operating voltage of $\leq 36$ V do not bear a CCC marking because they do not require approval.

Release date: 2011-07-29 13:16 Date of issue: 2011-07-29 904157\_eng.xml