



**Model number**

**VBG-RIO-KHD2-R2**

Bus coupler for Allen Bradley Remote I/O

**Features**

- 100 % compatible to Allen-Bradley Remote I/O
- Adaptable to the available memory capacity or to the desired functionality
- Discrete I/O communication only
- configurable as 1/4, 1/2, 3/4 or FULL rack

**Function**

With this bus coupler, the identification system can be directly coupled to the Allen-Bradley Remote I/O field bus. The device functions as a bus subscriber which behaves as a remote-rack from Allen-Bradley. As a result, communication components in the control system are no longer needed and the amount of cabling required is reduced.

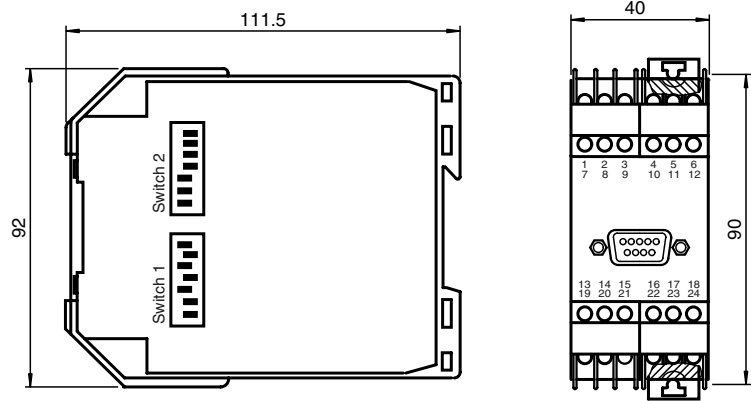
The serial interface of the device is connected to the IVI-KHD2-4HRX control interface unit of the identification system and the bus connection is connected to the field bus.

Eight commands are available for simple operation through the control system. The device can be configured as a 1/4-, 1/2- or 1/1-rack and can be adapted to the available memory size or the desired scope of functionality.

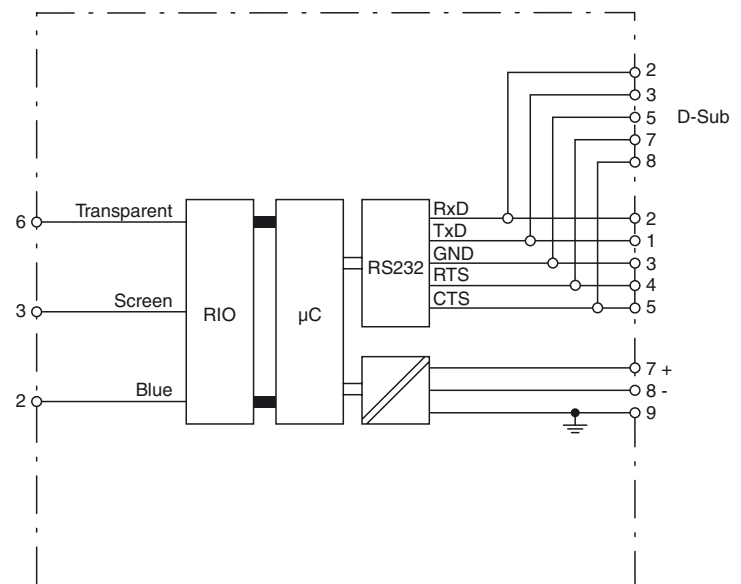
Communication takes place via block transfer or "Discrete I/O" (1/2- and 1/1-rack only).

The necessary settings are made using DIP switches.

**Dimensions**



**Electrical connection**



**Technical data**

**General specifications**

AS-Interface specification	V2.0
PLC-Functionality	none

**Electrical specifications**

Rated operational voltage	$U_e$	21 ... 27 V DC
---------------------------	-------	----------------

**Interface 1**

Protocol	ASCII
Transfer rate	For connection of serial AS-i master VBM-CTR-K20-R2 57600 Bit/s

**Interface 2**

Physical	Allen Bradley RIO
Transfer rate	$\geq 1.2$ ; $\leq 38.4$ kBit/s default setting: 9.6 kBit/s

**Ambient conditions**

Ambient temperature	0 ... 60 °C (32 ... 140 °F)
Storage temperature	-25 ... 85 °C (-13 ... 185 °F)

**Mechanical specifications**

Protection degree	IP20 according to EN 60529
Connection	terminals, max. core cross-section 2 x 2.5 mm <sup>2</sup> , 9-pin Sub-D built-in connector

Release date: 2011-01-11 15:04 Date of issue: 2011-02-21 903956\_ENG.xml

Subject to modifications without notice

Pepperl+Fuchs Group  
www.pepperl-fuchs.com

USA: +1 330 486 0001  
fa-info@us.pepperl-fuchs.com

Germany: +49 621 776-4411  
fa-info@pepperl-fuchs.com

Copyright Pepperl+Fuchs  
Singapore: +65 6779 9091  
fa-info@sg.pepperl-fuchs.com



Material	
Housing	Makrolon 6485
Construction type	K-system, 40 mm (2 TE)

**Matching system components**

**VBM-CTR-K20-R2**

AS-Interface master RS 232 cabinet module

**VBM-CTR-K20-R2-ACT32**

Packet from the VBM-CTR-K20-R2 master and the VAZ-SW-ACT32 software

Release date: 2011-01-11 15:04 Date of issue: 2011-02-21 9008956\_ENG.xml