



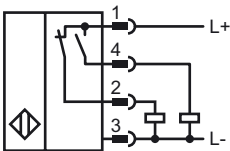
**Model Number**

NJ30P+U4+A2-V1

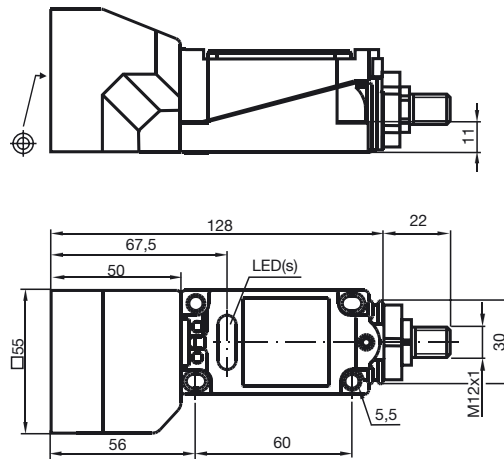
**Features**

- 4-wire DC
- Surface mount
- Sensing range 30 mm

**Connection**



**Dimensions**



**Technical Data**

**General specifications**

Switching element function	PNP	NO/NC
Rated operating distance	$s_n$	30 mm
Installation	not embeddable	
Output polarity	Selective	
Assured operating distance	$s_a$	0 ... 24.3 mm
Reduction factor $r_{Al}$	1	
Reduction factor $r_{Cu}$	1	
Reduction factor $r_{St37}$	0	
Reduction factor $r_{Brass}$	0	

**Nominal ratings**

Operating voltage	$U_B$	10 ... 30 V
Switching frequency	$f$	0 ... 150 Hz
Hysteresis	$H$	typ. 5 %
Reverse polarity protected	reverse polarity protected	
Short-circuit protection	pulsing	
Voltage drop	$U_d$	$\leq 3$ V
Operating current	$I_L$	0 ... 200 mA
No-load supply current	$I_0$	$\leq 20$ mA
Operating voltage display	LED, green	
Indication of the switching state	LED, yellow	

**Standard conformity**

Standards	IEC / EN 60947-5-2:2004
-----------	-------------------------

**Ambient conditions**

Ambient temperature	-25 ... 70 °C (-13 ... 158 °F)
---------------------	--------------------------------

**Mechanical specifications**

Core cross-section	up to 2.5 mm <sup>2</sup>
Housing material	PBT/metal
Sensing face	PBT
Protection degree	IP68

**Approvals and certificates**

UL approval	cULus Listed, General Purpose
CSA approval	cCSAus Listed, General Purpose

Release date: 2010-10-12 14:27 Date of issue: 2010-10-12 900117\_ENG.xml