



**Model Number**

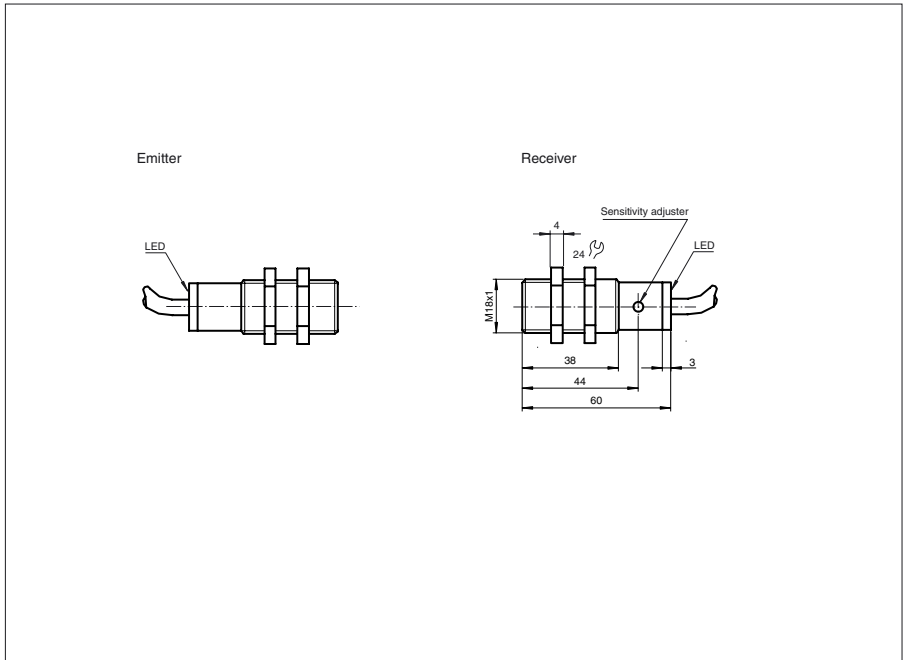
**OBE10M-18GM60-SE4 10M**

Thru-beam sensor  
with 10 m fixed cable

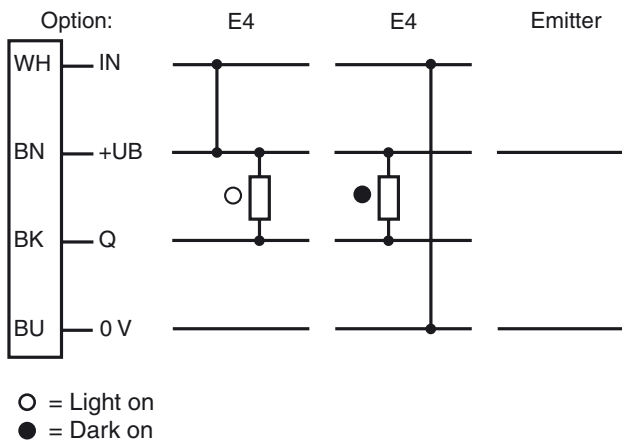
**Features**

- Dual color indication LED
- Light/dark ON, programmable
- Sensitivity adjuster for optimal adaptation to the application
- Protection degree IP67
- Strong metallic housing in cylindrical shape M18 x 1

**Dimensions**



**Electrical connection**



Release date: 2011-04-08 11:51 Date of issue: 2011-04-15 803936\_ENG.xml

**Technical data****System components**

|          |                      |
|----------|----------------------|
| Emitter  | OBE10M-18GM60-S 10M  |
| Receiver | OBE10M-18GM60-E4 10M |

**General specifications**

|                            |  |
|----------------------------|--|
| Effective detection range  | 0 ... 10 m   |
| Adjustment range           | 0 ... 10000 mm   |
| Reference target           | receiver   |
| Light source               | IREL   |
| Light type                 | 880 nm IR light  |
| Approvals                  | CE, cULus Listed 57M3 (Only in association with UL Class 2 power supply; Type 1 enclosure) |
| Diameter of the light spot | approx. 600 mm at detection range 10 m   |
| Ambient light limit        | 10000 Lux  |

**Indicators/operating means**

|                   |   |
|-------------------|---|
| Operating display | LED green (emitter)   |
| Function display  | Dual color-LED, yellow/green<br>yellow: switching state<br>green: power on<br>flashing: stability control |
| Controls          | sensitivity adjustment  |

**Electrical specifications**

|                                |       |                         |
|--------------------------------|-------|-------------------------|
| Operating voltage              | $U_B$ | 10 ... 30 V DC, class 2 |
| Ripple                         |       | 10 %                    |
| No-load supply current         | $I_0$ | ≤ 25 mA (device)        |
| Time delay before availability | $t_v$ | ≤ 25 ms                 |

**Output**

|                     |   |          |
|---------------------|---|----------|
| Switching type      | light/dark on electrically switchable   |          |
| Signal output       | 1 NPN output, short-circuit protected, reverse polarity protected, open collector |          |
| Switching voltage   | max. 30 V DC  |          |
| Switching current   | max. 100 mA   |          |
| Voltage drop        | $U_d$   | ≤ 2.5 V  |
| Switching frequency | $f$   | ≤ 500 Hz |
| Response time       |   | ≤ 1 ms   |

**Standard conformity**

|             |              |
|-------------|--------------|
| Standards   | EN 60947-5-2 |
| Standards 2 | UL 508       |

**Ambient conditions**

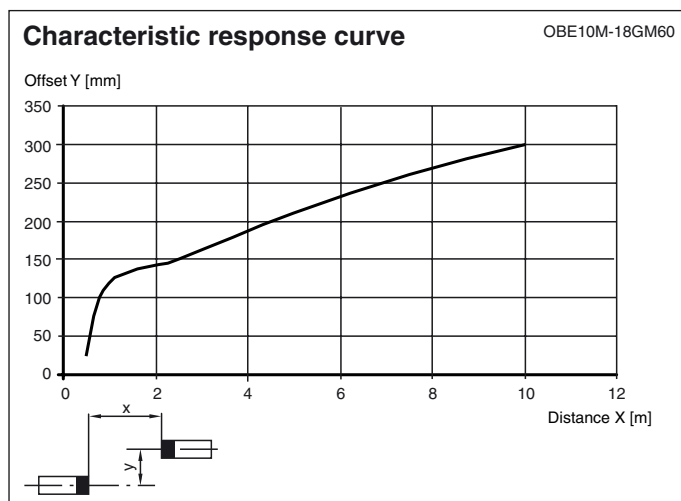
|                     |                                |
|---------------------|--------------------------------|
| Ambient temperature | -25 ... 55 °C (-13 ... 131 °F) |
| Storage temperature | -40 ... 70 °C (-40 ... 158 °F) |

**Mechanical specifications**

|                   |                      |
|-------------------|----------------------|
| Protection degree | IP67                 |
| Connection        | Fixed cable 10 m     |
| Material          |                      |
| Housing           | brass, nickel-plated |
| Optical face      | PC                   |
| Mass              | 110 g per device     |

**Approvals and certificates**

|              |  |
|--------------|--|
| CCC approval | Products with a maximum operating voltage of ≤36 V do not bear a CCC marking because they do not require approval. |
|--------------|--|

**Curves/Diagrams****Accessories****CPZ18B03**

For Series CP18 Threaded Photoelectric Sensors

**BF 18**

Mounting flange, 18 mm

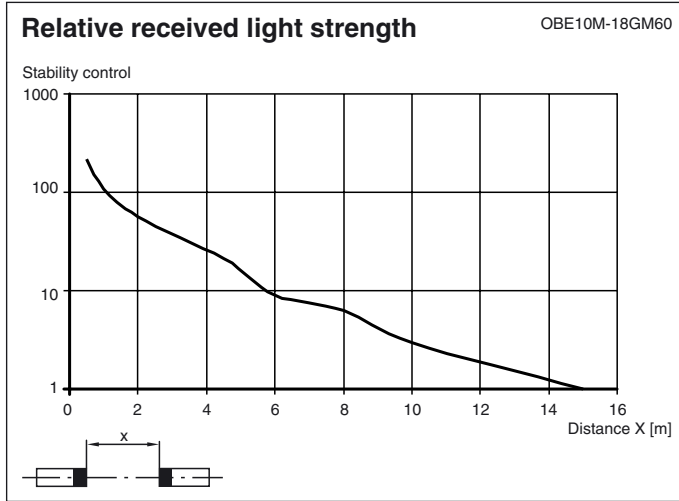
**BF 18-F**

Mounting flange with dead stop, 18 mm

**BF 5-30**

Universal mounting bracket for cylindrical sensors with a diameter of 5 ... 30 mm

Additional accessories can be found in the Internet.



Release date: 2011-04-08 11:51 Date of issue: 2011-04-15 803936\_ENG.xml