



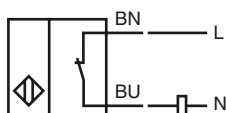
Model Number

NBB10-30GKK-WO

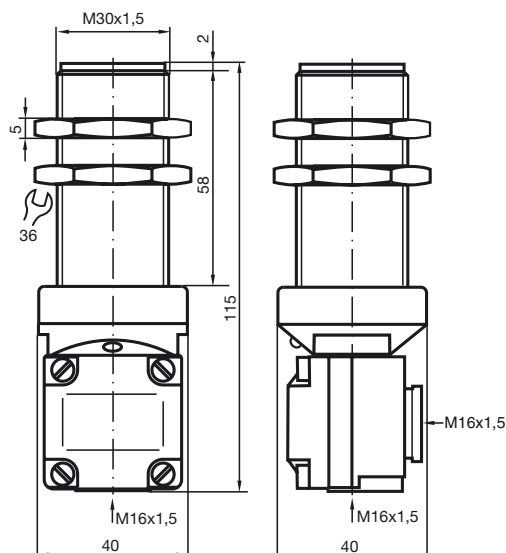
Features

- Basic series
- 10 mm embeddable

Connection



Dimensions



Technical Data

General specifications

Switching element function	AC	NC
Rated operating distance	s_n	10 mm
Installation	embeddable	
Output polarity	AC	
Assured operating distance	s_a	0 ... 8.1 mm
Reduction factor r_{Al}	0.33	
Reduction factor r_{Cu}	0.28	
Reduction factor r_{304}	0.82	

Nominal ratings

Operating voltage	U_B	20 ... 250 V
Switching frequency	f	0 ... 20 Hz
Hysteresis	H	typ. 5 %
Short-circuit protection	no	
Voltage drop	U_d	≤ 8 V
Momentary current (20 ms, 0.1 Hz)	0 ... 1600 mA	
Operating current	I_L	1.5 ... 200 mA
No-load supply current	I_0	≤ 1.7 mA

Ambient conditions

Ambient temperature	-25 ... 70 °C (-13 ... 158 °F)
---------------------	--------------------------------

Mechanical specifications

Connection type	terminal compartment
Core cross-section	up to 2.5 mm ²
Housing material	PBT
Sensing face	PBT
Protection degree	IP67

Note

¹⁾ In the temperature range below 0 °C, permissible operating voltage U_b 80 ... 253 V
Safety fuse ≤ 0.8 A (quick-blow) according to IEC 60127-2 Sheet 1
Recommendation: after a short circuit, check that the device is functioning correctly.

Compliance with standards and directives

Standard conformity	
Standards	EN 60947-5-2:2007 IEC 60947-5-2:2007

Approvals and certificates

UL approval	cULus Listed, General Purpose
CSA approval	cCSAus Listed, General Purpose
CCC approval	Certified by China Compulsory Certification (CCC)