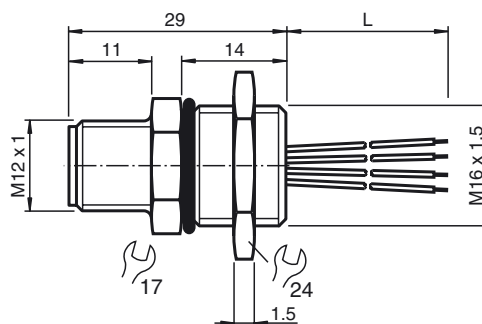




**Dimensions**



**Model Number**

**V1-M16-50**  
 Assembly adapter, M12/M16, 4-pin

**Features**

- Plastic version
- Front/screw mounting
- M12 plug can be mounted in any position

**Technical data**

**General specifications**

Number of pins	4
Connection 1	Male connector
Construction type 1	straight
Threading 1	M12
Connection 2	cable end

**Electrical specifications**

Operating voltage	$U_B$	max. 250 V AC/DC
Operating current		max. 4 A
Volume resistance		< 5 mΩ

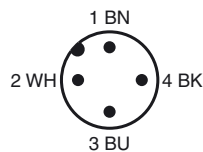
**Ambient conditions**

Ambient temperature	-25 ... 80 °C (-13 ... 176 °F)
---------------------	--------------------------------

**Mechanical specifications**

Pin diameter	1 mm
Protection degree	IP67 when sealing with O-Ring
Connection	Single strand leads with connector sleeves
<b>Material</b>	
Contacts	CuZn
Contact surface	Au
Connector	PA 66
Seal	NBR
Core insulation	PVC
<b>Cable</b>	
Cores	4 x 0.14 mm <sup>2</sup>
Length	L 50 mm

**Electrical connection**



Release date: 2012-06-21 16:39 Date of issue: 2012-06-21 801842\_eng.xml