



**Model Number**

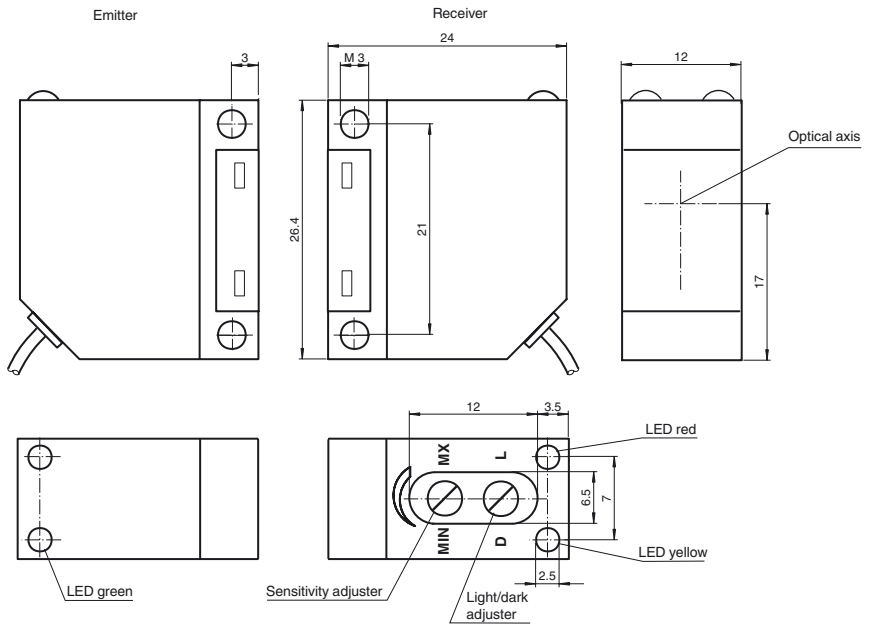
**M5/MV5-RT/32/115**

Thru-beam sensor  
with fixed cable

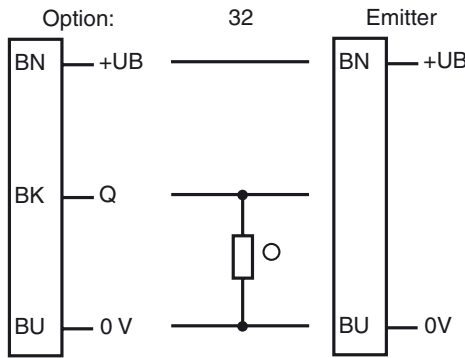
**Features**

- Miniature design
- Red light design
- Light/dark ON, switchable
- Pre-fault indication
- Protection degree IP67

**Dimensions**



**Electrical connection**



- = Light on
- = Dark on

Release date: 2011-03-07 15:20 Date of issue: 2011-03-07 800819\_ENG.xml

**Technical data****System components**

Emitter	M5-RT/115
Receiver	MV5-RT/32/115

**General specifications**

Effective detection range	0 ... 5000 mm
Threshold detection range	7000 mm
Light source	LED , 660 nm
Light type	modulated visible red light , 660 nm
Ambient light limit	≤ 20000 Lux sun light ≤ 5000 Lux halogen light

**Indicators/operating means**

Function display	LED yellow: switching state LED red: pre-fault indication
Controls	Light/Dark switch, sensitivity adjuster

**Electrical specifications**

Operating voltage	$U_B$	10 ... 30 V DC
Ripple		10 %
No-load supply current	$I_0$	≤ 30 mA
Time delay before availability	$t_v$	≤ 30 ms

**Output**

Switching type	light/dark on, switchable
Signal output	1 PNP output, short-circuit protected, protected from reverse polarity, open collector
Switching voltage	max. 30 V DC
Switching current	max. 200 mA
Voltage drop	$U_d$ ≤ 2.5 V
Switching frequency	$f$ 200 Hz
Response time	2.5 ms

**Ambient conditions**

Ambient temperature	-25 ... 70 °C (-13 ... 158 °F)
Storage temperature	-25 ... 70 °C (-13 ... 158 °F)

**Mechanical specifications**

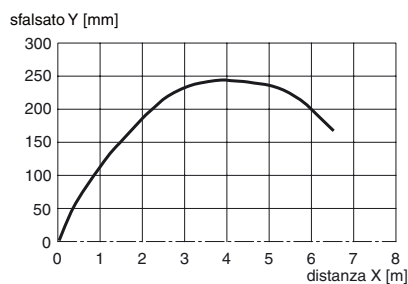
Protection degree	IP67 according to EN 60529
Connection	2 m, 3 x 0.14 mm <sup>2</sup> , PUR cable
Material	
Housing	Polycarbonate
Optical face	PMMA
Mass	approx. 45 g (device)

**Compliance with standards and directives**

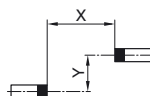
Standard conformity	
Product standard	EN 60947-5-2:2007

**Approvals and certificates**

UL approval	cULus Listed, Class 2 Power Source, Type 1 enclosure
CCC approval	Products with a maximum operating voltage of ≤36 V do not bear a CCC marking because they do not require approval.

**Curves/Diagrams****Curva di risposta caratteristiche**

Distanza possibile (sfalsato) d'egli assi ottici di trasmettitore e ricevitore.

**Accessories****OMH-ML5**

Mounting bracket for series ML5 sensors

Additional accessories can be found in the Internet.