



Model Number

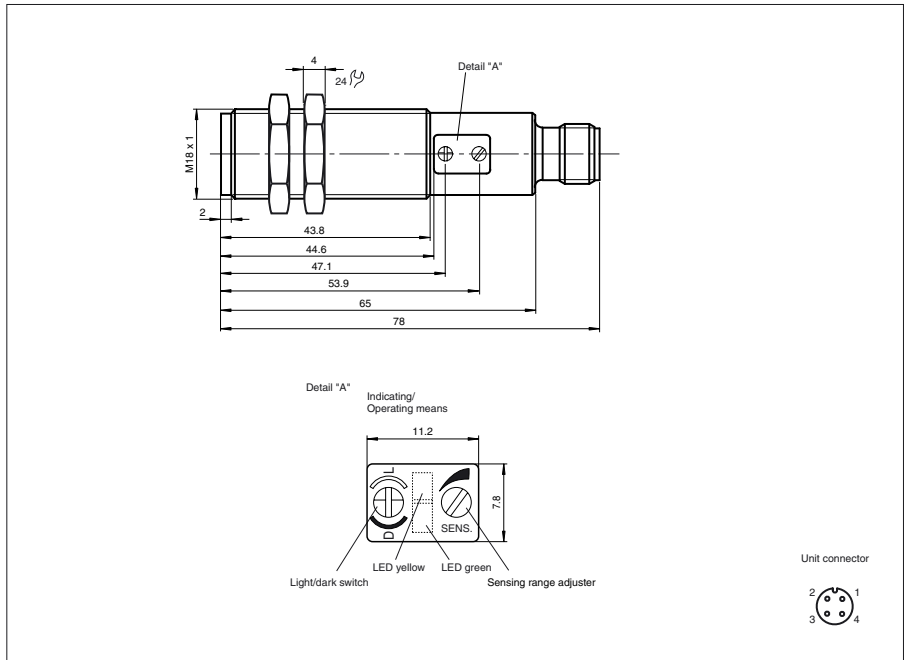
VT18-8-H-120-M/32/40a/65b/118

Background suppression sensor with M12, 4-pin metal connector

Features

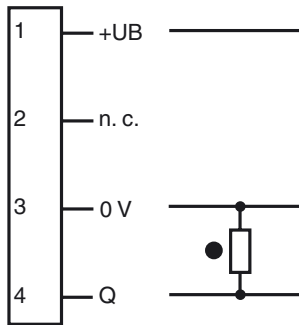
- Adjustable background suppression
- Array control panel with highly visible LED display
- Flashing power on LED in case of short-circuit
- Multiple device installation possible, no mutual interference
- Not sensitive to ambient light, even with switched energy saving lamps
- Protection class II

Dimensions



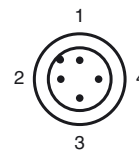
Electrical connection

Option: /32



○ = Light on
● = Dark on

Pinout



Release date: 2010-02-02 12:31 Date of issue: 2011-01-25 800189_ENG.xml

Technical data**General specifications**

Detection range	20 ... 120 mm , adjustable
Detection range min.	20 ... 40 mm
Detection range max.	20 ... 120 mm
Light source	LED, 660 nm visible red light
Light type	modulated visible red light
Black/White difference (6 %/90 %)	< 10 % at a distance of 120 mm
Approvals	CE, cULus
Diameter of the light spot	approx. 6 mm at a distance of 120 mm
Optical face	frontal
Ambient light limit	30000 Lux

Functional safety related parameters

MTTF _d	860 a
Mission Time (T _M)	20 a
Diagnostic Coverage (DC)	0 %

Indicators/operating means

Operating display	LED green, flashes in case of short-circuit
Function display	LED yellow, lights up with receiver lit
Controls	Detection range adjuster, light/dark switch

Electrical specifications

Operating voltage	U _B	10 ... 30 V DC
Ripple		10 %
No-load supply current	I ₀	< 35 mA
Protection class		II , rated voltage ≤ 300 V AC with pollution degree 1-2 according to IEC 60664-1

Output

Switching type	light/dark on, switchable	
Signal output	1 PNP output, short-circuit protected, protected from reverse polarity, open collector	
Switching voltage	30 V DC	
Switching current	max. 200 mA	
Switching frequency	f	500 Hz
Response time		1 ms

Standard conformity

Standards	EN 60947-5-2
-----------	--------------

Ambient conditions

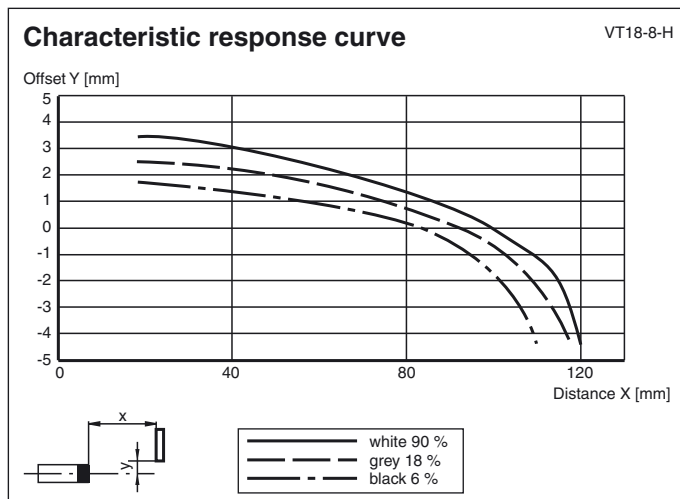
Ambient temperature	-25 ... 70 °C (-13 ... 158 °F)
Storage temperature	-30 ... 70 °C (-22 ... 158 °F)

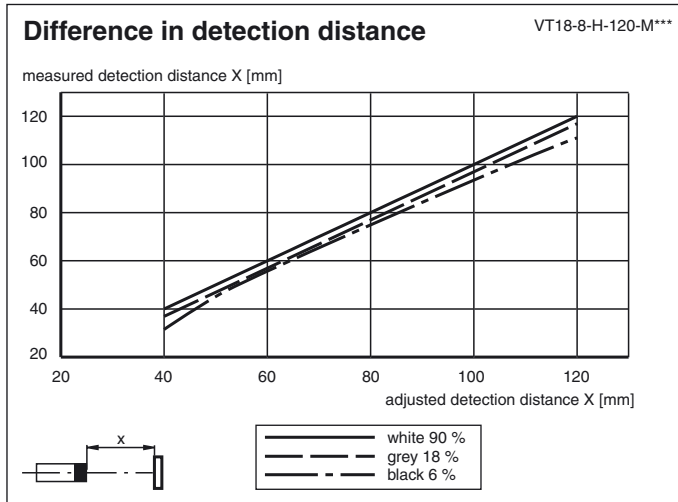
Mechanical specifications

Protection degree	IP67
Connection	M12 connector, 4-pin (Vario-Quick quick connect technology)
Material	
Housing	brass, nickel-plated
Optical face	plastic
Mass	60 g

Approvals and certificates

CCC approval	Products with a maximum operating voltage of ≤36 V do not bear a CCC marking because they do not require approval.
--------------	--

Curves/Diagrams



Release date: 2010-02-02 12:31 Date of issue: 2011-01-25 800189_ENG.xml