



### Features

- Mounting hardware included
- Provides a wire exit from pedestals and wall arms

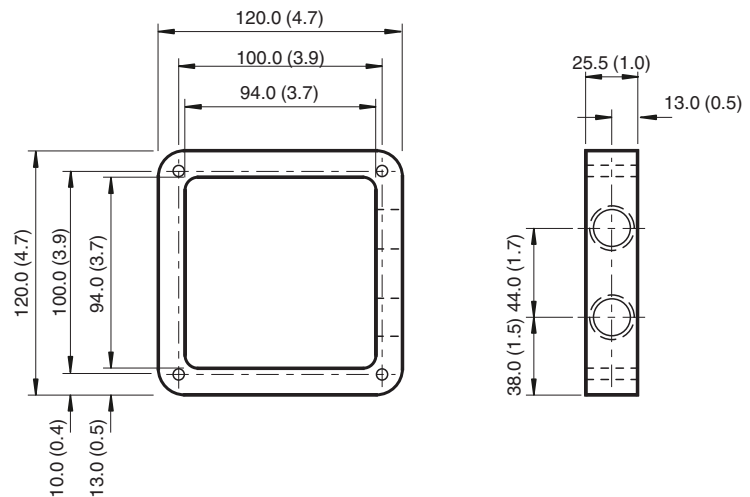
### Function

The VESA CABLE FEED-THROUGH is used to connect a Visunet 900 series monitor to the PEDESTAL1 or WALL-ARM1 series of floor mounted pedestals and wall mounted support arms where through-the-pedestal wiring is needed.

The adapter plate has two M20 stainless steel glands to route fiber optic or copper communication and power cables out of the pedestal or wall arm and to the visunet connection box on the rear of the unit.

The adapter plate may be rotated in increments of 90° to allow cables to exit from the side or bottom of the adapter plate.

### Dimensions



### Technical data

#### Mechanical specifications

Material	6061 aluminum with clear anodized coating
Mass	0.564 kg