

Model Number

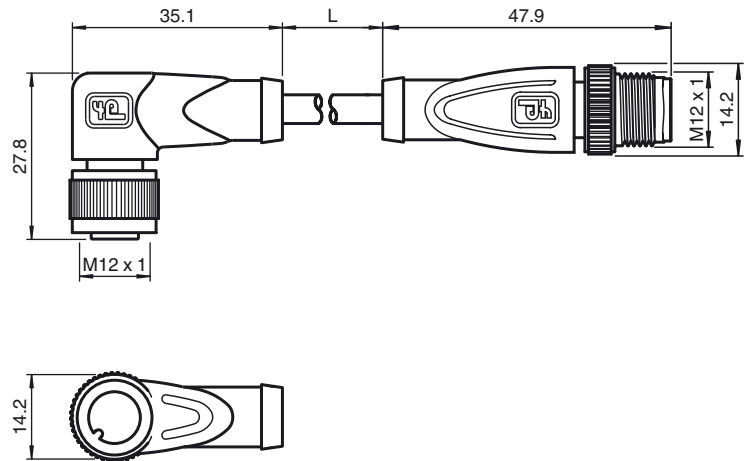
V19-W-BK1M-PUR-U-V19-G

Connection cable, M12 to M12, PUR cable 8-pin

Features

- UL Recognized Component
- Knurled nut suitable for tool assembly
- Immunity to vibration, with mechanical latching
- Gold-plated and machined contacts
- Flame resistant cable
- Resistant to microbes and hydrolysis
- Halogen-free
- Protection degree IP67 / IP68 / IP69K

Dimensions



Technical data

General specifications

| | |
|---------------------|------------------|
| Number of pins | 8 |
| Connection 1 | female connector |
| Construction type 1 | right angle |
| Threading 1 | M12 |
| Connection 2 | Male connector |
| Construction type 2 | straight |
| Threading 2 | M12 |
| UL File Number | E231213 |

Electrical specifications

| | | |
|-------------------|----------------|----------------------------|
| Operating voltage | U _B | max. 30 V AC/DC |
| Test voltage | | > 1500 V _{eff} AC |
| Operating current | | max. 2 A |

Ambient conditions

| | |
|---------------------|---|
| Ambient temperature | -40 ... 90 °C (-40 ... 194 °F) cable, flexing: -20 ... 80 °C (-4 ... 176 °F) cable, fixed: -40 ... 80 °C (-40 ... 176 °F) |
| Pollution Degree | 3 |

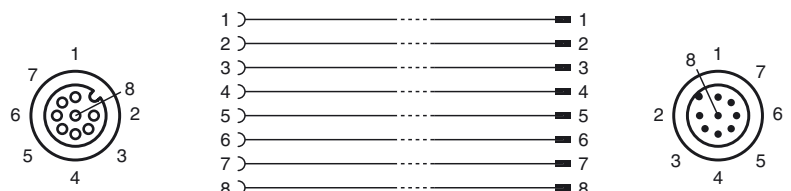
Mechanical specifications

| | |
|------------------------|--|
| Contact elements | spring-loaded contact socket |
| Pin diameter | 1 mm |
| Protection degree | IP67 / IP68 / IP69k |
| Material | |
| Contacts | CuSn / Au |
| Contact surface | Au |
| Body | TPU, green |
| Cable | PUR |
| Slotted nut | Diecast zinc |
| Core insulation | PP |
| Cable | fine-strand, flexible |
| Sheath diameter | Ø 6 mm |
| Bending radius | > 10 x cable diameter, moving > 8 x cable diameter, fixed |
| Color | black |
| Cores | 8 x 0.25 mm ² |
| Conductor construction | 14 x 0.15 mm Ø |
| Length | L 1 m |
| Flammability | |
| Contact material | 94 HB |
| Housing | 94 V-2 |

Approvals and certificates

| | |
|-------------|--|
| UL approval | cURus AWM 20549 AWM I/II A/B 80°C 300V FT2 (cable) |
|-------------|--|

Electrical connection



Release date: 2012-01-19 11:05 Date of issue: 2012-01-19 456605_eng.xml

Subject to modifications without notice

Pepperl+Fuchs Group
www.pepperl-fuchs.com

USA: +1 330 486 0001
fa-info@us.pepperl-fuchs.com

Germany: +49 621 776-4411
fa-info@pepperl-fuchs.com

Copyright Pepperl+Fuchs
Singapore: +65 6779 9091
fa-info@sg.pepperl-fuchs.com