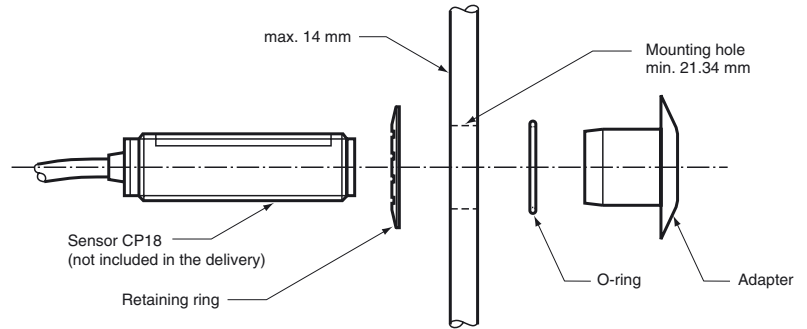




Dimensions



Model number

CPZ18B01

for cylindrical sensors with a thread of 18 mm

Features

- Simple and fast mounting
- Suitable for CP18 sensors

Quick mounting accessories

Technical data

Mechanical specifications

Material plastic

Suitable series

Series CP18