



CP18LDPD2

Retroreflective sensor

# CP18LDPD2

with fixed cable



- ◆ Patented M18 plastic housing
- ◆ Short version: 55 mm
- ◆ Red LED for switching status
- ◆ Protection degree IP67



Release date: 2005-09-23 09:38 Date of issue: 2005-10-06 453194\_ENG.xml

**General specifications**

Effective detection range	4 m
Light source	IRED 880 nm
Approvals	CE
USA	UL
Light type	infrared, modulated light
Diameter of the light spot	approx. 250 mm at a distance of 4 m
Angle of divergence	3 °
Optical face	frontal
Ambient light limit	30000 Lux
Hysteresis H	< 15 %

**Indicators/operating means**

Function display	LED red
------------------	---------

**Electrical specifications**

Operating voltage	10 ... 30 V DC
Ripple	10 %
No-load supply current I <sub>0</sub>	< 35 mA

**Output**

Switching type	dark ON
Signal output	1 PNP output, short-circuit proof, protected from reverse polarity, open collector
Switching voltage	30 V DC
Switching current	max. 150 mA
Switching frequency f	500 Hz
Response time	1 ms

**Standard conformity**

Standards	EN 60947-5-2
-----------	--------------

**Ambient conditions**

Ambient temperature	-30 ... 70 °C (243 ... 343 K)
Storage temperature	-30 ... 70 °C (243 ... 343 K)

**Mechanical specifications**

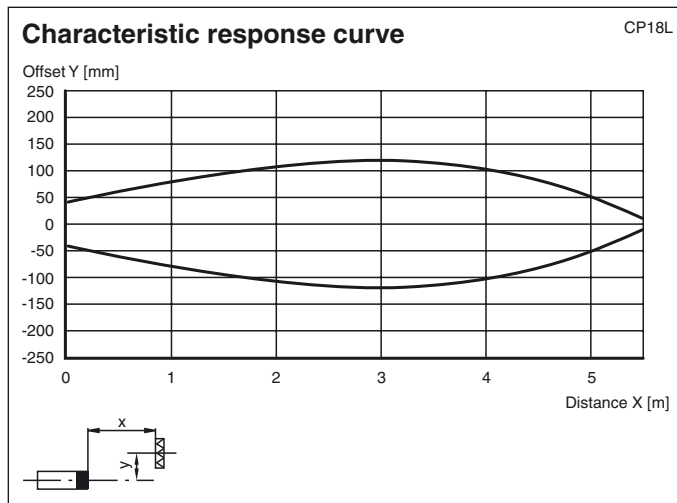
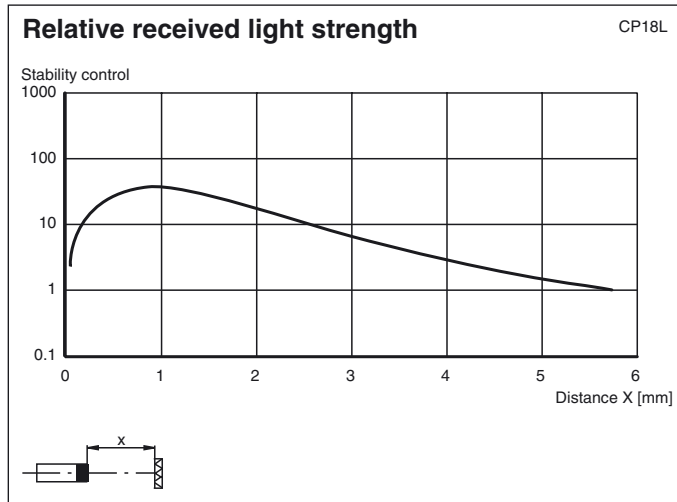
Protection degree	IP67
Connection	Fixed cable 2 m
Material	
Housing	plastic
Optical face	plastic
Mass	60 g

Release date: 2005-09-23 09:38 Date of issue: 2005-10-06 453194\_ENG.xml

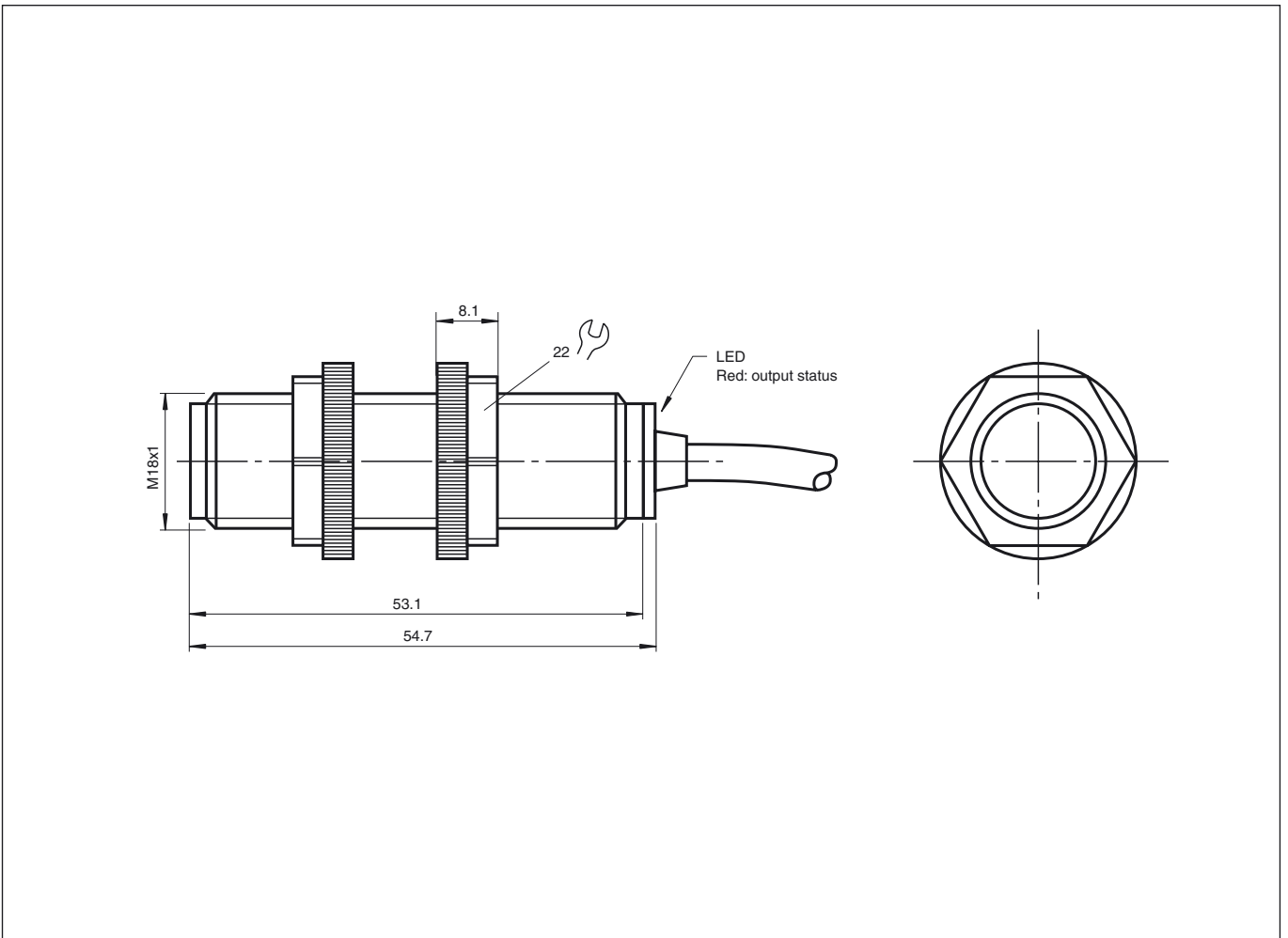


# CP18LDPD2

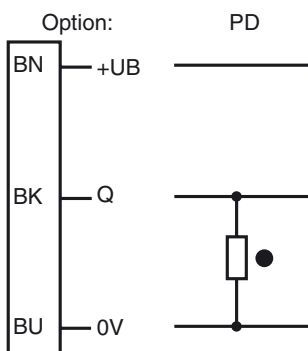
## Curves/Diagrams



Dimensions



Electrical connection



○ = light on, ● = dark on

Release date: 2005-09-23 09:38 Date of issue: 2005-10-06 453194\_ENG.xml