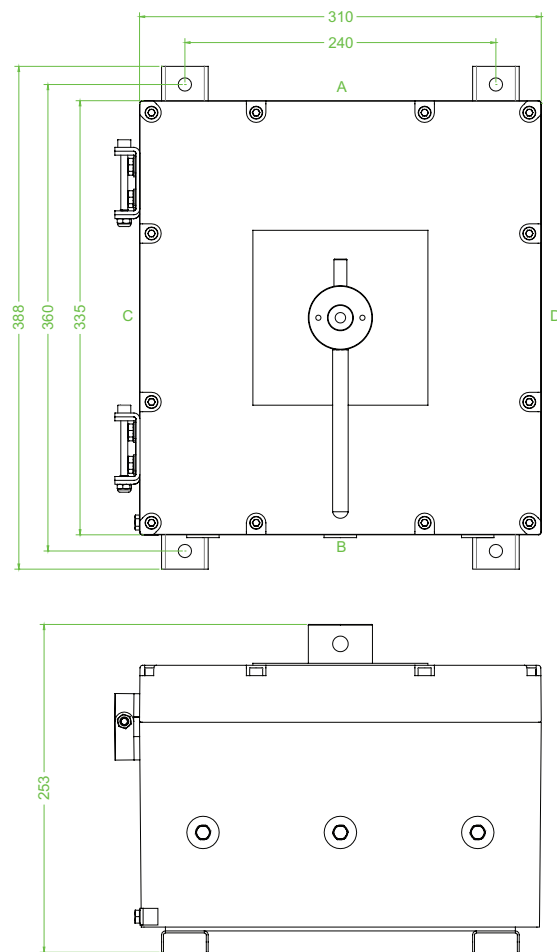


Features

- Cast Stainless Steel
- Installation in Zone 1, Zone 2, Zone 21 and Zone 22
- Threaded cable entries
- Padlockable switch

Dimensions (mm)



Technical data

Electrical specifications

| | |
|--------------------|------------------------------|
| Operating voltage | 690 V |
| Operating current | 100 A (AC21A) |
| Power | 37 kW (AC23A) 30 kW (AC3) |
| Terminal capacity | 50 mm ² |
| Function | switch disconnector |
| Number of poles | 6 |
| Auxiliary contacts | 2 x n/o early break |
| Lockable | in 'OFF' position |
| Labeling | OFF - ON |

Mechanical specifications

| | |
|-------------------------|---|
| Height | 335 mm NOM. |
| Width | 310 mm NOM. |
| Depth | 253 mm NOM. |
| Enclosure cover | hinged non-detachable |
| Cover fixing | M6 stainless steel socket cap head screws |
| Fastener grade | A2-70 |
| Protection degree | IP65 |
| Cable entry | metric threaded |
| Number of cable entries | 3 x M25 in face B all entries are fitted with Ex d sealing plugs |
| Material | |
| Enclosure | cast stainless steel |
| Finish | painted black |
| Seal | by grease |
| Mass | approx. 52 kg |
| Mounting | 2 x fabricated stainless steel mounting straps |

| | |
|---|--|
| Grounding | internal & external brass grounding terminals on base and lid |
| Ambient conditions | |
| Ambient temperature | -40 ... 55 °C (-40 ... 131 °F) |
| Data for application in connection with Ex-areas | |
| EC-Type Examination Certificate | SIRA 04 ATEX 1266X |
| Group, category, type of protection, temperature class | ⊕ II 2 GD Ex d IIB T5 Gb, Ex tb IIIC T82°C Db (ta ... +55°C) |
| International approvals | |
| IECEX approval | IECEX SIR 08.0056X |
| GOST-R approval | GOST-R B01008 |
| Conformity | |
| Protection degree | EN 60529 |
| Switch | switch disconnecter to IEC 60947-3 |
| General information | |
| Supplementary information | EC-Type Examination Certificate, Statement of Conformity, Declaration of Conformity, Attestation of Conformity and instructions have to be observed where applicable. For information see www.pepperl-fuchs.com . |