



MLV11-54-LAS/48/112

Reflection light beam switch

MLV11-54-LAS/48/112

with 5-pin M12 connector, 90° adjustable position

CE



- ◆ Visible red light, pulsed LASER light
- ◆ Automatic adjustment of sensitivity per TEACH-IN
- ◆ Parameterisation via optical communication link (e.g. optional time increments)
- ◆ Protection degree IP68
- ◆ Multifunction input
- ◆ Boost mode - approx. 4 x the brightness of the transmitted light as adjustment aid

Date of edition 06/23/05

General specifications

Effective detection range	0 ... 15 m
Reflector distance	300 ... 15000 mm
Light source	laser diode
Approvals	CE
Laser class	2
Reference target	H60 reflector
Light type	Red light 670 nm pulsed LASER-light (12 µs), 2 mW peak power, laser class 2, eye-safe
Diameter of the light spot	50 mm at a distance of 15 m
Ambient light limit	10000 Lux

Indicators/operating means

Operating display	LED green
Function display	TEACH-IN: LED green flashing switching state: LED yellow pre-fault indicator: LED red flashing
Operating elements	membrane keys for setting sensitivity and TEACH IN

Electrical specifications

Operating voltage	10 ... 30 V DC
Ripple	10 %
No-load supply current I_0	≤ 25 mA
Time delay before availability t_v	≤ 50 ms

Input

Test input	inactive: ≥ 7 V or unwired; active: ≤ 3 V
------------	-------------------------------------------

Output

Output of the pre-fault indication	npn, dynamic/static configurable
Switching type	light/dark switching
Signal output	2 switch outputs npn, parameterisable as - NO/NC (antivalent) - NO and pre-fault indication - NC and pre-fault indication
Switching voltage	max. 30 V DC
Switching current	max. 200 mA
Voltage drop U_d	≤ 2,5 V
Switching frequency f	≤ 1000 Hz
Response time	≤ 0,5 ms
Timer function	parameterisable

Standard conformity

Standards	EN 60947-5-2
-----------	--------------

Ambient conditions

Ambient temperature	-25 ... 70 °C (248 ... 343 K)
Storage temperature	-40 ... 70 °C (233 ... 343 K)

Mechanical specifications

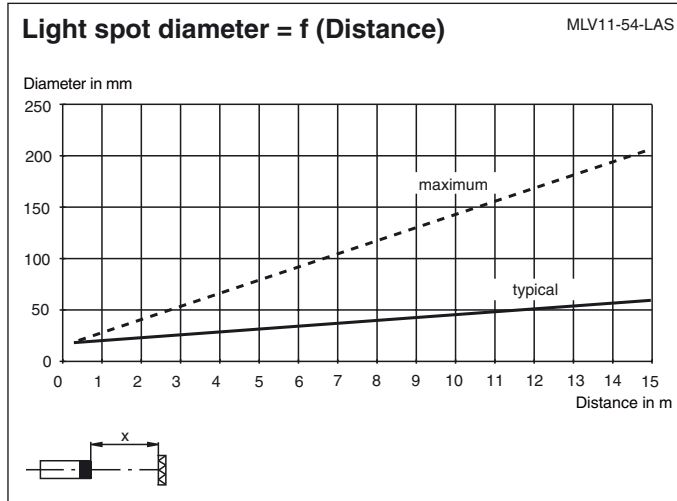
Protection degree	IP68
Connection	5-pin M12 x 1 connector, 90° adjustable position
Material	
Housing	PBT
Optical face	scratch resistant plastic lens
Mass	60 g

06/23/05

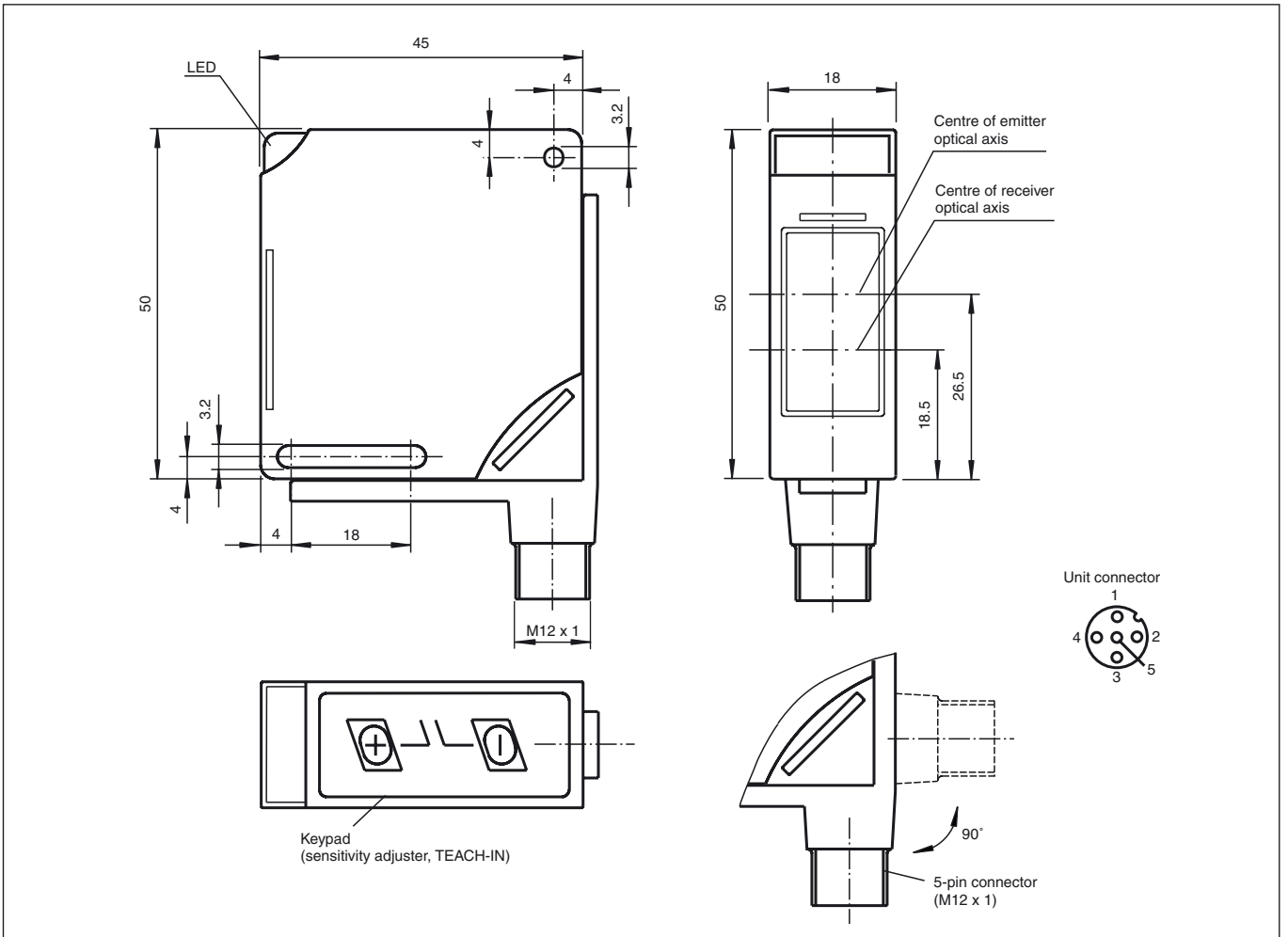
Date of edition



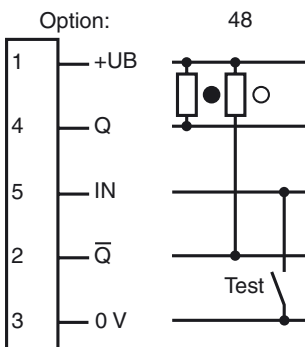
MLV11-54-LAS/48/112



Dimensions



Electrical connection



06/23/05

Date of edition

○ = light on, ● = dark on