

MLV11-8-LAS-300-AS-I/112

Diffuse mode sensor with AS-Interface

MLV11-8-LAS-300-AS-I/112

with 4-pin M12 connector, 90° adjustable position

CE



Laser Class II



- ◆ Sensing range up to 300 mm
- ◆ Energetic diffuse type sensor for detection of small objects (Ø 0.1 mm)
- ◆ Focal point at approx. 60 mm
- ◆ Automatic adjustment of switching points (sensitivity) via TEACH-IN
- ◆ Visible red light, pulsed LASER light
- ◆ Pre-fault indication and output (dynamic and static)
- ◆ Multifunction input
- ◆ Parameterisation via optical communication link (e.g. optional time increments)
- ◆ Protection degree IP68
- ◆ All materials approved for food industry applications
- ◆ Boost-Mode - approx. 4 times the brightness of the transmitted light as an aid in adjustment

Release date: 2006-08-31 14:33 Date of issue: 2006-08-31 421562_ENG.xml

General specifications

Detection range	0 ... 300 mm
Light source	laser diode
Approvals	CE
Laser class	2
Adjustment range	50 ... 300 mm
Reference target	standard white 100 mm x 100 mm
Light type	red, modulated light Laser class 2, eyesafe
Diameter of the light spot	0.1 mm at a distance of 60 mm ± 2
Ambient light limit	10000 Lux

Indicators/operating means

Operating display	LED green
Function display	TEACH-IN: LED green flashing switching state: LED yellow pre-fault indicator: LED red flashing
Operating elements	membrane keys for setting sensitivity and TEACH IN

Electrical specifications

Operating voltage	via AS-Interface network
Time delay before availability t_v	≤ 80 ms

Output

Switching type	light/dark switching
Signal output	AS-Interface
Switching current	≤ 35 mA
Switching frequency f	≤ 1000 Hz
Response time	≤ 0.5 ms
Timer function	parameterisable

Standard conformity

Standards	EN 60947-5-2
-----------	--------------

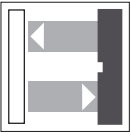
Ambient conditions

Ambient temperature	-25 ... 70 °C (248 ... 343 K)
Storage temperature	-40 ... 70 °C (233 ... 343 K)

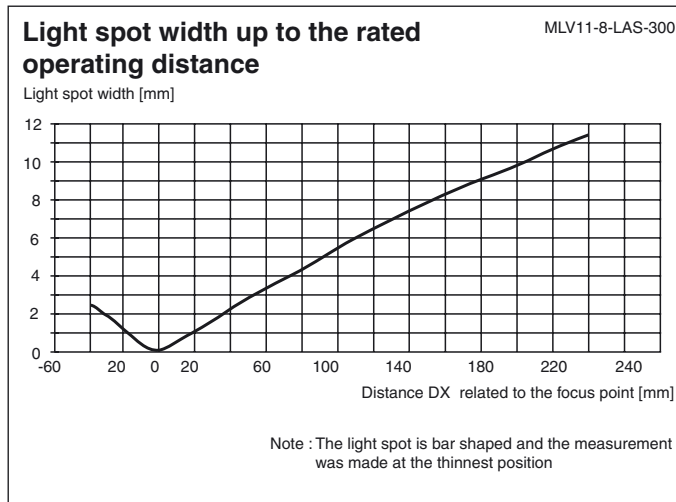
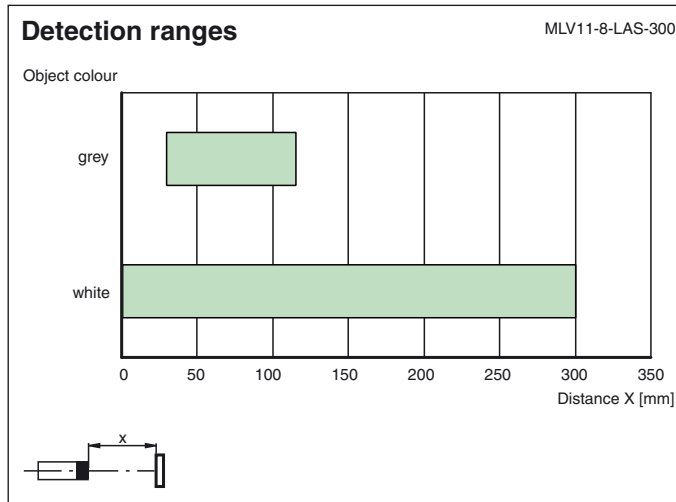
Mechanical specifications

Protection degree	IP68
Connection	4-pin M12 x 1 connector, 90° adjustable position
Material	
Housing	PBT
Optical face	scratch resistant plastic pane
Mass	60 g

Release date: 2006-08-31 14:33 Date of issue: 2006-08-31 421562_ENG.xml



Curves/Diagrams



AS-Interface programming

Address preset to 00, can be changed via Busmaster or programming devices
 IO code 1
 ID code F

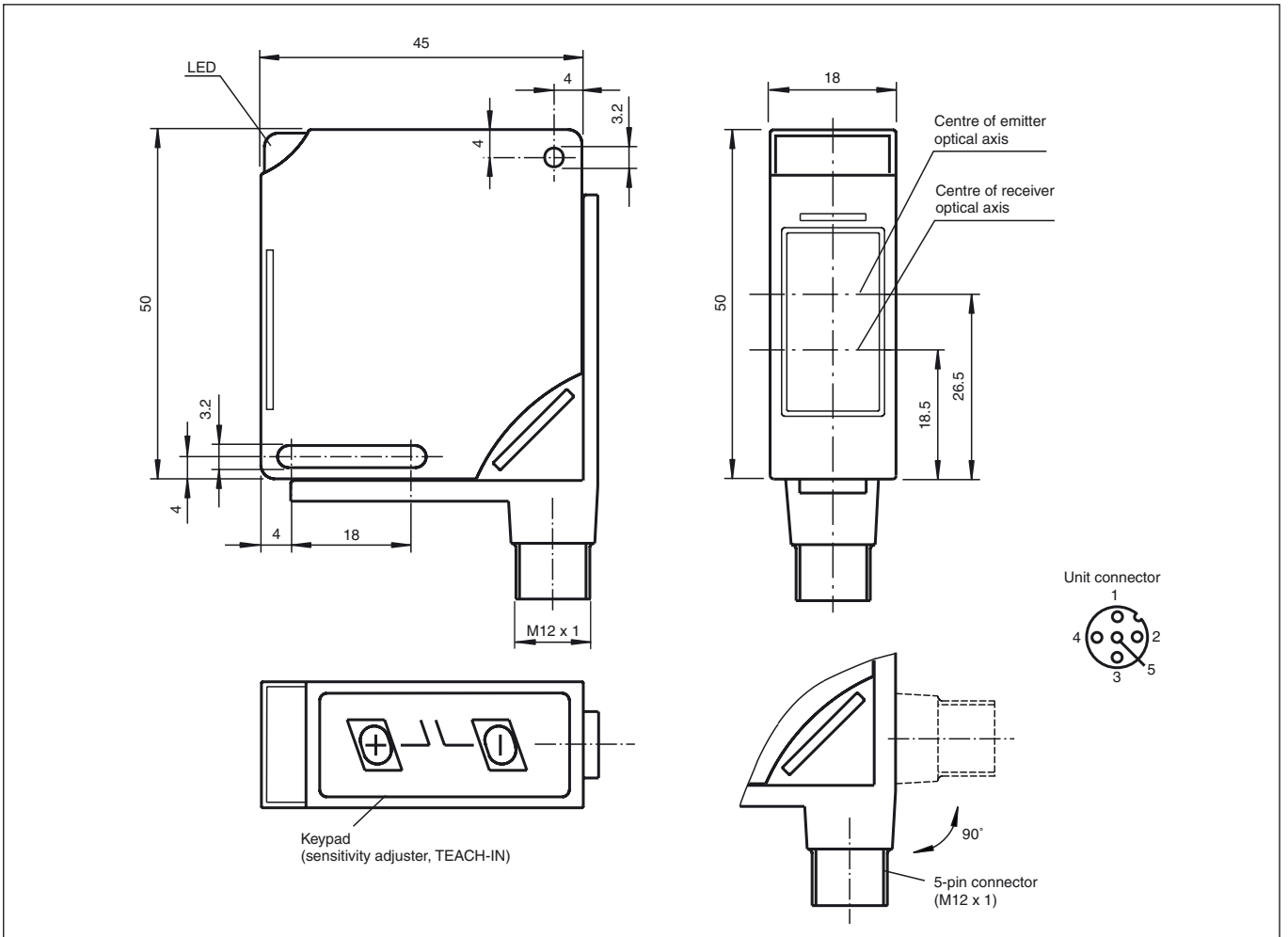
• **Data bit**

Bit	Function
D0	switch output
D1	pre-fault indication (0=ON, 1=OFF)
D2	antivalent switch output
D3	function input

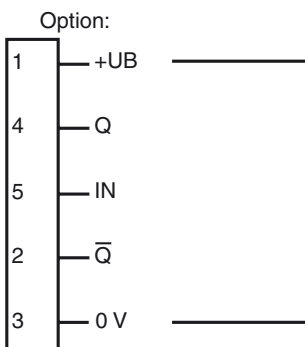
• **Parameter bit**

Bit	Function
P0	not used
P1	not used
P2	not used
P3	not used

Dimensions



Electrical connection



○ = light on, ● = dark on