



MLV11-8-LAS-300/47/112

Reflection light scanner

# MLV11-8-LAS-300/47/112

with 5-pin M12 connector, 90° adjustable position

CE



Laser Class II



- ◆ Energetic diffuse type sensor for detection of small objects (Ø 0.1 mm)
- ◆ Automatic adjustment of switching points (sensitivity) via TEACH-IN
- ◆ Visible red light, pulsed LASER light
- ◆ Multifunction input
- ◆ Protection degree IP68
- ◆ Boost-Mode - approx. 4 times the brightness of the transmitted light as an aid in adjustment

Release date: 2004-11-24 11:58 Date of issue: 2005-06-29 421554\_ENG.xml

**General specifications**

|                            |  |
|----------------------------|--|
| Detection range            | 0 ... 300 mm                                   |
| Light source               | laser diode                                    |
| Approvals                  | CE   |
| Laser class                | 2  |
| Adjustment range           | 50 ... 300 mm                                  |
| Reference target           | standard white 100 mm x 100 mm                 |
| Light type                 | red, modulated light<br>Laser class 2, eyesafe |
| Diameter of the light spot | 0.1 mm at a distance of 60 mm ± 2              |
| Ambient light limit        | 10000 Lux                                      |

**Indicators/operating means**

|                    |  |
|--------------------|--|
| Operating display  | LED green  |
| Function display   | TEACH-IN: LED green flashing<br>switching state: LED yellow<br>pre-fault indicator: LED red flashing |
| Operating elements | membrane keys for setting sensitivity and TEACH IN   |

**Electrical specifications**

|                                      |                |
|--------------------------------------|----------------|
| Operating voltage                    | 10 ... 30 V DC |
| Ripple                               | 10 %           |
| No-load supply current $I_0$         | ≤ 25 mA        |
| Time delay before availability $t_v$ | ≤ 50 ms        |

**Input**

|            |   |
|------------|---|
| Test input | inactive: ≤ 3 V or unwired; active: ≥ 7 V |
|------------|---|

**Output**

|                                    |  |
|------------------------------------|--|
| Output of the pre-fault indication | pnp, dynamic/static configurable   |
| Switching type                     | light/dark switching   |
| Signal output                      | 2 switch outputs pnp, parameterisable as<br>- NO/NC (antivalent)<br>- NO and pre-fault indication<br>- NC and pre-fault indication |
| Switching voltage                  | max. 30 V DC   |
| Switching current                  | max. 200 mA  |
| Voltage drop $U_d$                 | ≤ 2.5 V  |
| Switching frequency $f$            | ≤ 1000 Hz  |
| Response time                      | ≤ 0.5 ms   |
| Timer function                     | parameterisable  |

**Standard conformity**

|           |              |
|-----------|--------------|
| Standards | EN 60947-5-2 |
|-----------|--------------|

**Ambient conditions**

|                     |                               |
|---------------------|-------------------------------|
| Ambient temperature | -10 ... 40 °C (263 ... 313 K) |
| Storage temperature | -40 ... 70 °C (233 ... 343 K) |

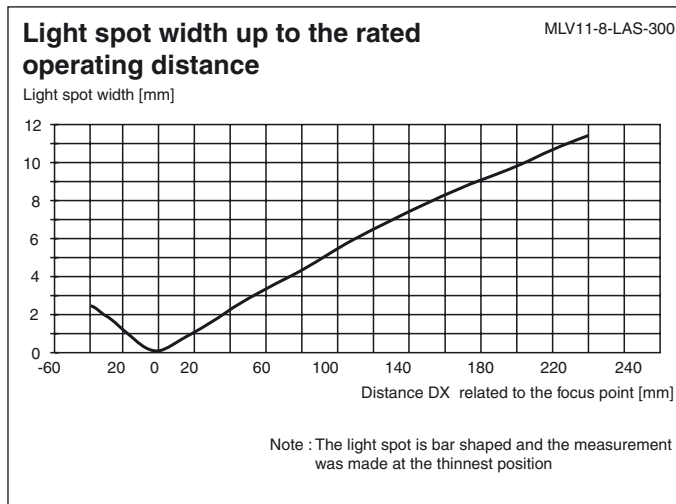
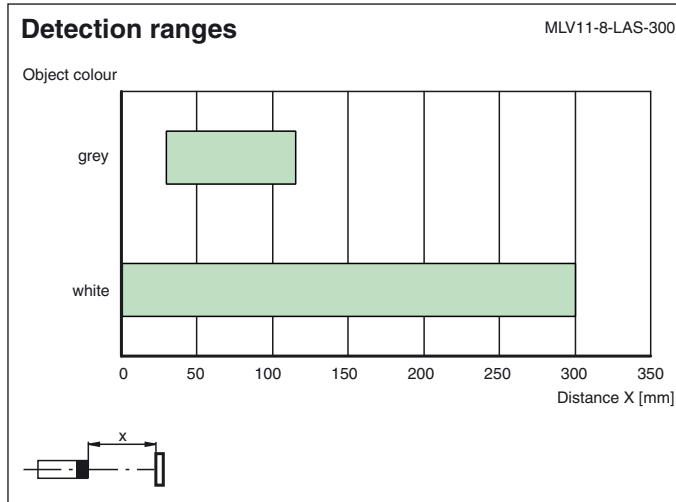
**Mechanical specifications**

|                   |  |
|-------------------|--|
| Protection degree | IP68   |
| Connection        | 5-pin M12 x 1 connector, 90° adjustable position |
| Material          |  |
| Housing           | PBT  |
| Optical face      | scratch resistant plastic lens                   |
| Mass              | 60 g   |

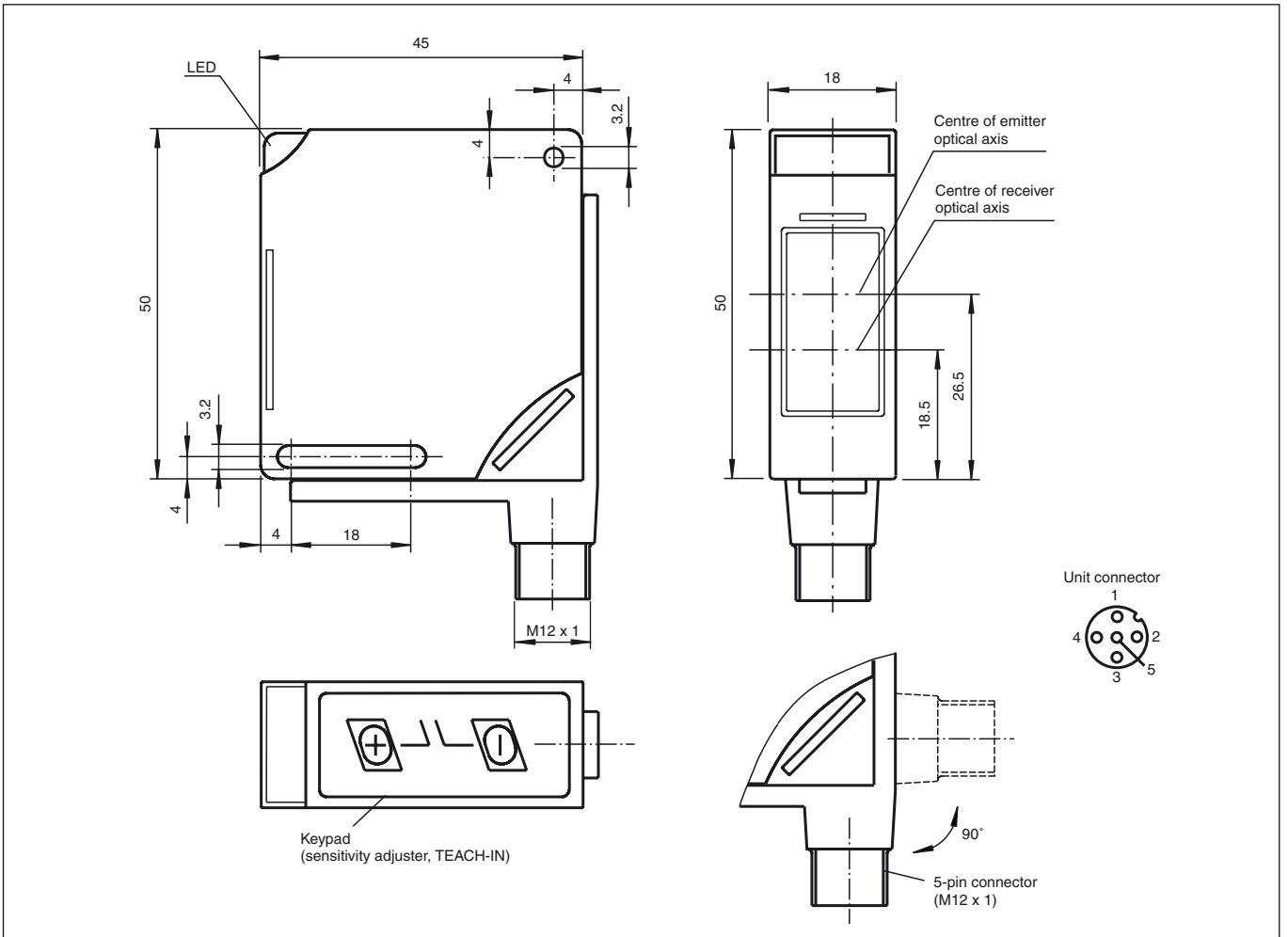
Release date: 2004-11-24 11:58 Date of issue: 2005-06-29 421554\_ENG.xml



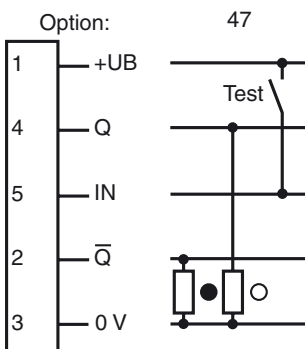
Curves/Diagrams



Dimensions



Electrical connection



○ = light on, ● = dark on