



Model Number

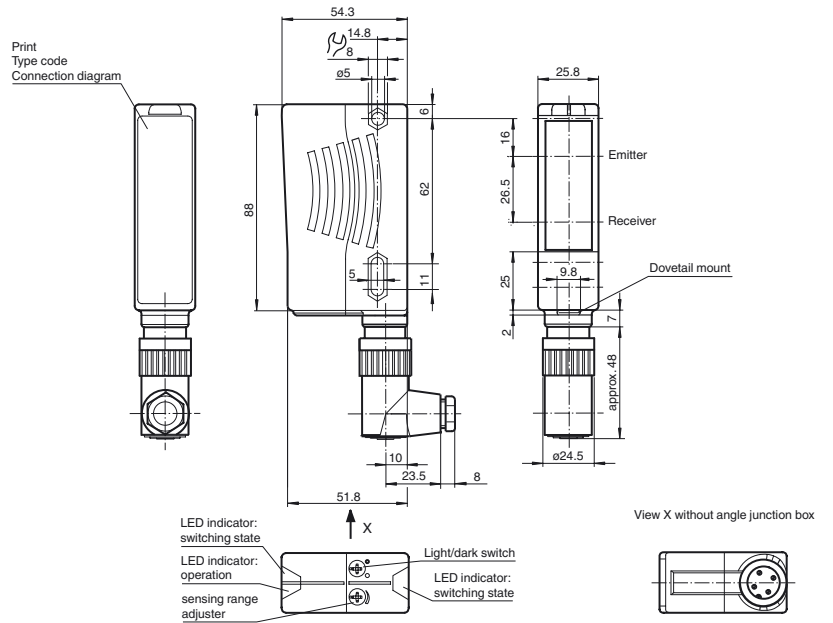
RL28-8-H-2000-IR/47/74

Background suppression sensor with 4-pin, M18 x 1 plastic connector

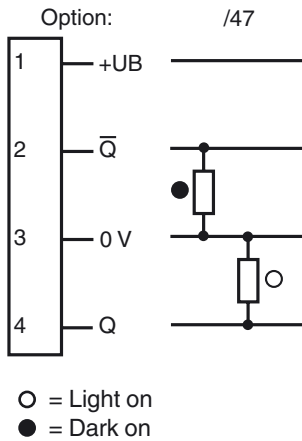
Features

- Ultra bright LEDs for power on and switching state
- Minimal black/white difference through the infrared transmission LED
- Not sensitive to ambient light, even with energy saving lamps
- Waterproof, protection degree IP67
- Protection class II

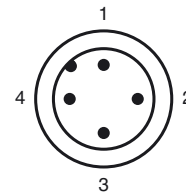
Dimensions



Electrical connection



Pinout



Release date: 2011-12-21 10:33 Date of issue: 2011-12-21 420981_eng.xml

Subject to modifications without notice

Pepperl+Fuchs Group
www.pepperl-fuchs.com

USA: +1 330 486 0001
fa-info@us.pepperl-fuchs.com

Germany: +49 621 776-4411
fa-info@pepperl-fuchs.com

Copyright Pepperl+Fuchs
Singapore: +65 6779 9091
fa-info@sg.pepperl-fuchs.com

Technical data**General specifications**

| | |
|-----------------------------------|---|
| Detection range | 20 ... 2000 mm |
| Detection range min. | 20 ... 200 mm |
| Detection range max. | 20 ... 2000 mm |
| Background suppression | max. + 10 % of the upper limit of the detection range |
| Light source | IREd |
| Light type | modulated infrared light , 880 nm |
| Black/White difference (6 %/90 %) | < 40 % |
| Diameter of the light spot | approx. 70 mm at a distance of 2000 mm |
| Angle of divergence | transmitter 2° receiver 2° |
| Ambient light limit | 50000 Lux |

Functional safety related parameters

| | |
|--------------------------------|--------|
| MTTF _d | 1130 a |
| Mission Time (T _M) | 20 a |
| Diagnostic Coverage (DC) | 0 % |

Indicators/operating means

| | |
|-------------------|---|
| Operating display | LED green |
| Function display | 2 LEDs yellow ON: object inside the scanning range OFF: object outside the scanning range |
| Controls | Light/Dark switch |
| Controls | Detection range adjuster |

Electrical specifications

| | | |
|------------------------|----------------|----------------|
| Operating voltage | U _B | 10 ... 30 V DC |
| Ripple | | 10 % |
| No-load supply current | I ₀ | ≤ 40 mA |

Output

| | | |
|---------------------|---|--------|
| Switching type | light/dark on switchable | |
| Signal output | 2 PNP, complementary, short-circuit protected, reverse polarity protected , open collectors | |
| Switching voltage | max. 30 V DC | |
| Switching current | max. 200 mA | |
| Switching frequency | f | 250 Hz |
| Response time | | 2 ms |

Ambient conditions

| | |
|---------------------|--------------------------------|
| Ambient temperature | -40 ... 60 °C (-40 ... 140 °F) |
| Storage temperature | -40 ... 75 °C (-40 ... 167 °F) |

Mechanical specifications

| | |
|-------------------|----------------------|
| Protection degree | IP67 |
| Connection | connector M18, 4-pin |
| Material | |
| Housing | Plastic ABS |
| Optical face | plastic |
| Connector | plastic |
| Mass | 70 g |

Compliance with standards and directives

| | |
|---------------------|-------------------|
| Standard conformity | |
| Product standard | EN 60947-5-2:2007 |

Approvals and certificates

| | |
|------------------|--|
| Protection class | II, rated voltage ≤ 250 V AC with pollution degree 1-2 according to IEC 60664-1 |
| UL approval | cULus |
| CCC approval | Products with a maximum operating voltage of ≤36 V do not bear a CCC marking because they do not require approval. |

Accessories**OMH-05**

Mounting aid for round steel ø 12 mm or sheet 1.5 mm ... 3 mm

OMH-07

Mounting aid for round steel ø 12 mm or sheet 1.5 mm ... 3 mm

OMH-21

Mounting bracket

OMH-22

Mounting bracket

OMH-MLV11-K

dove tail mounting clamp

OMH-RLK29

Mounting bracket

OMH-RLK29-HW

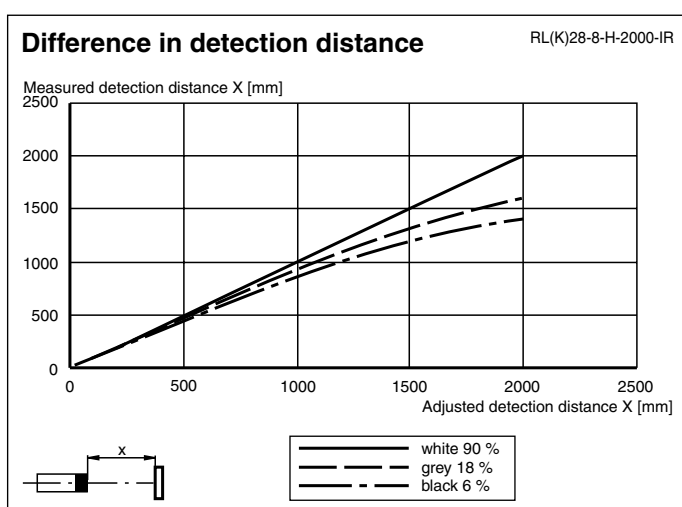
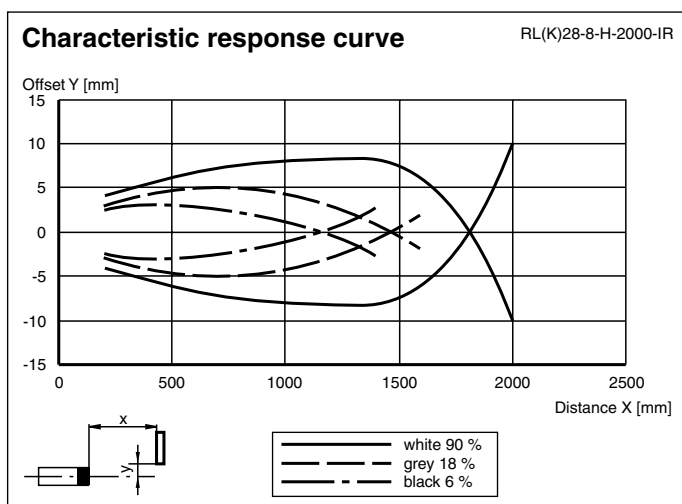
Mounting bracket for rear wall mounting

OMH-RL28-C

Protective cover

Other suitable accessories can be found at www.pepperl-fuchs.com

Curves/Diagrams



Additional information

Intended use:

The transmitter and receiver are located in the same housing for direct detection sensors with background masking. Marking of objects outside the detection range is achieved by arranging the angle between the transmitter and receiver (2 receiver elements).

Objects are detected independently of their surface structures, brightness and colour, as well as the brightness of the background.

Mounting instructions:

The sensors can be fastened directly with fixing screws or with a support bracket (not included with delivery).

The surface underneath must be flat to prevent the housing from moving when it is tightened into position. We recommend securing the nut and screw in place with spring washers to prevent the sensor from going out of adjustment.

Adjustment:

After the operating voltage is applied, the LED is lit green.

Align the sensor to the background. If the yellow LED is lit, the detection range should be reduced with the detection range adjuster until the yellow LED goes out.

Object direction:

Place the object to be detected at the desired maximum detection range and align the light spot to it. If the object is detected, the yellow LED lights up.

If it does not light up, the detection range must be adjusted on the potentiometer until it lights up when an object is detected.

Cleaning:

We recommend cleaning the optical surface and checking the screwed connection and other connections at regular intervals.