



Model Number

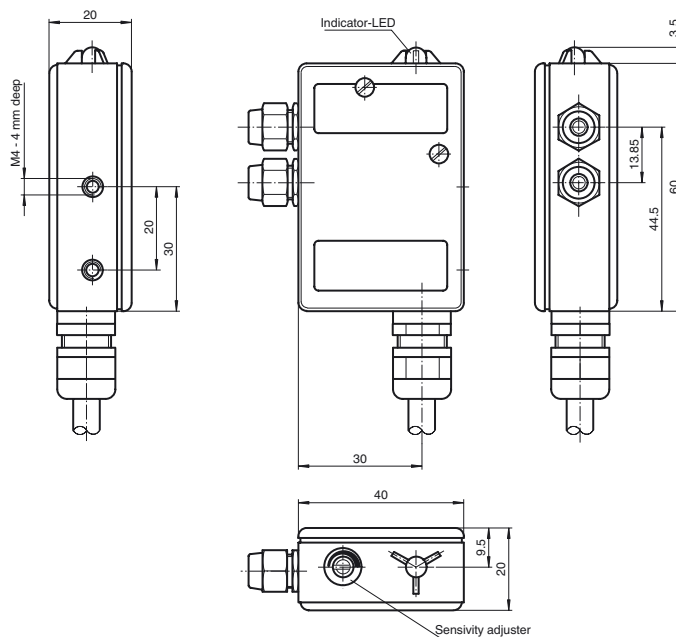
SU11/40a/49/115

external amplifier
with fixed cable

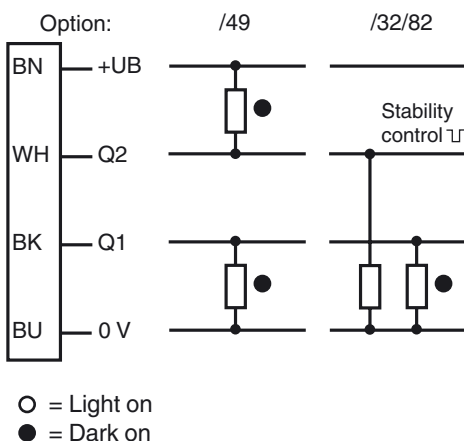
Features

- Signal converter for M4 cylindrical housing of the KT10 series
- Sensitivity adjuster
- Pre-fault indication
- Alignable housing
- Cable connection

Dimensions



Electrical connection



Release date: 2012-07-05 14:11 Date of issue: 2012-07-05 419752_eng.xml

Subject to modifications without notice

Pepperl+Fuchs Group
www.pepperl-fuchs.com

USA: +1 330 486 0001
fa-info@us.pepperl-fuchs.com

Germany: +49 621 776-4411
fa-info@pepperl-fuchs.com

Copyright Pepperl+Fuchs
Singapore: +65 6779 9091
fa-info@sg.pepperl-fuchs.com

Technical data**Functional safety related parameters**

MTTF _d	940 a
Mission Time (T _M)	20 a
Diagnostic Coverage (DC)	0 %

Indicators/operating means

Function display	LED red: 1-fold stability control LED green triple stability control
Controls	sensitivity adjustment
Controls	Light/Dark switch

Electrical specifications

Operating voltage	U _B	10 ... 30 V DC
Ripple		10 %
No-load supply current	I ₀	40 mA

Output

Switching type	light/dark on	
Signal output	1 NPN, 1 PNP synchronized-switching, short-circuit protected, reverse polarity protected	
Switching voltage	30 V DC	
Switching current	200 mA	
Voltage drop	U _d	< 2.5 V
Switching frequency	f	70 Hz
Response time		5 ms

Ambient conditions

Ambient temperature	-20 ... 60 °C (-4 ... 140 °F)
Storage temperature	-20 ... 75 °C (-4 ... 167 °F)

Mechanical specifications

Protection degree	IP65
Connection	2500 mm fixed cable
Material	
Housing	aluminum
Installation	2 Threading M4
Mass	60 g

Compliance with standards and directives

Standard conformity	
Product standard	EN 60947-5-2:2007
Shock and impact resistance	IEC / EN 60068. half-sine, 50 g in each X, Y and Z directions
Vibration resistance	IEC / EN 60068-2-6. Sinus. 10 -150 Hz, 5 g in each X, Y and Z directions

Approvals and certificates

CCC approval	Products with a maximum operating voltage of ≤36 V do not bear a CCC marking because they do not require approval.
--------------	--

Accessories**KT10-8-80**

Diffuse mode sensor

KT10-8-H-8

Background suppression sensor

KT10/33

Diffuse mode sensor

KS/KSE10

Thru-beam sensor

Other suitable accessories can be found at www.pepperl-fuchs.com