



**Model Number**

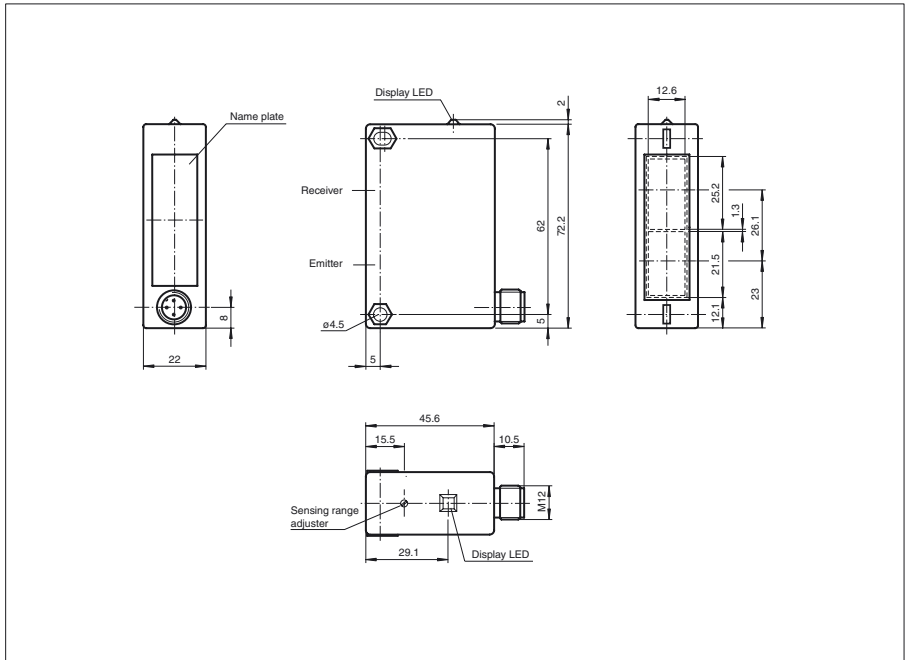
**RL32-8-H-2443**

Background suppression sensor with 4-pin, M12 x 1 plastic connector

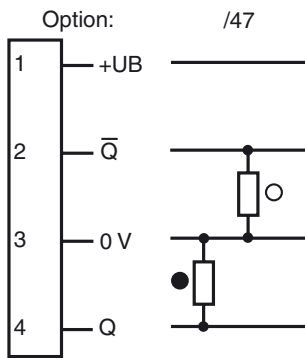
**Features**

- Adjustable background suppression
- Excellent optical performance data
- Scratch-resistant and solvent resistant glass lens
- Sleek design, especially for storage and conveyor systems
- No mutual interference (no crosstalk)

**Dimensions**



**Electrical connection**



- = Light on
- = Dark on

Release date: 2008-05-20 08:48 Date of issue: 2011-01-26 419605\_ENG.xml

## Technical data

### General specifications

Detection range	40 ... 800 mm
Detection range min.	40 ... 300 mm
Detection range max.	40 ... 800 mm
Reference target	standard white 200 mm x 200 mm
Light source	LED
Light type	modulated visible red light
Black/White difference (6%/90%)	< 20 %
Approvals	CE
Diameter of the light spot	approx. 10 mm at 800 mm sensor range
Angle of divergence	approx. 3 °
Ambient light limit	80000 Lux

### Indicators/operating means

Function display	LED yellow, lights up with receiver lit
Controls	Detection range adjuster

### Electrical specifications

Operating voltage	$U_B$	10 ... 30 V DC
Ripple		10 %
No-load supply current	$I_0$	≤ 40 mA

### Output

Switching type	dark on	
Signal output	2 PNP, complementary, short-circuit protected, reverse polarity protected	
Switching voltage	30 V DC	
Switching current	max. 200 mA	
Switching frequency	$f$	250 Hz
Response time		2 ms

### Standard conformity

Standards	EN 60947-5-2
-----------	--------------

### Ambient conditions

Ambient temperature	-20 ... 60 °C (-4 ... 140 °F)
Storage temperature	-20 ... 60 °C (-4 ... 140 °F)

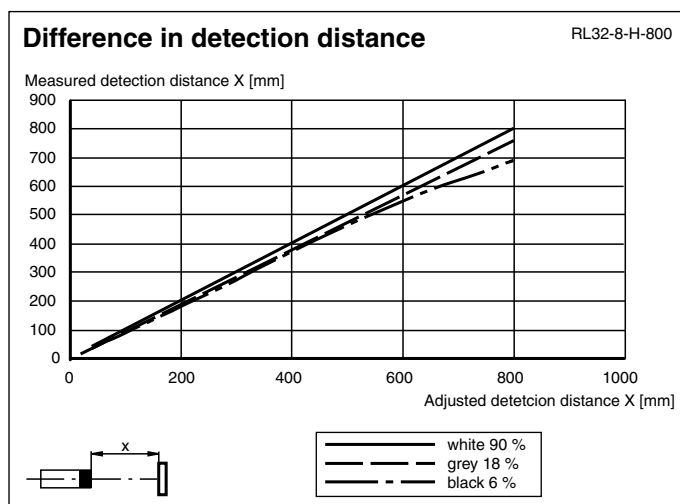
### Mechanical specifications

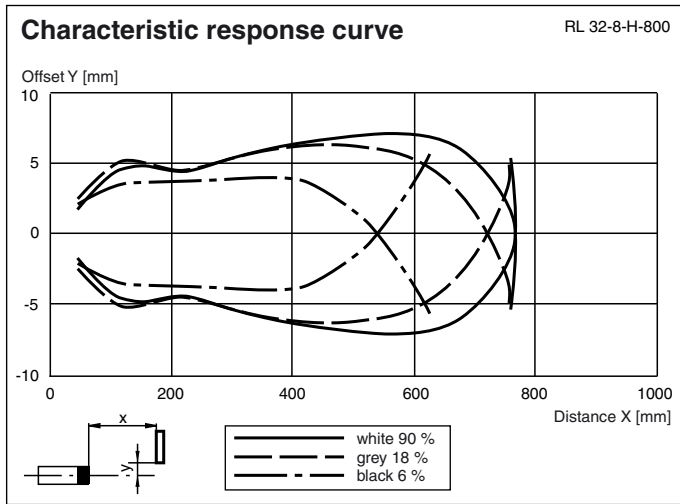
Protection degree	IP65
Connection	Plastic connector M12 x 1, 4-pin
Material	
Housing	Terluran GV15
Optical face	glass
Mass	60 g

### Approvals and certificates

CCC approval	Products with a maximum operating voltage of ≤36 V do not bear a CCC marking because they do not require approval.
--------------	--

## Curves/Diagrams





Release date: 2008-05-20 08:48 Date of issue: 2011-01-26 419605\_ENG.xml

Subject to modifications without notice

Pepperl+Fuchs Group  
www.pepperl-fuchs.com

USA: +1 330 486 0001  
fa-info@us.pepperl-fuchs.com

Germany: +49 621 776-4411  
fa-info@pepperl-fuchs.com

Copyright Pepperl+Fuchs

Singapore: +65 6779 9091  
fa-info@sg.pepperl-fuchs.com