



**Model Number**

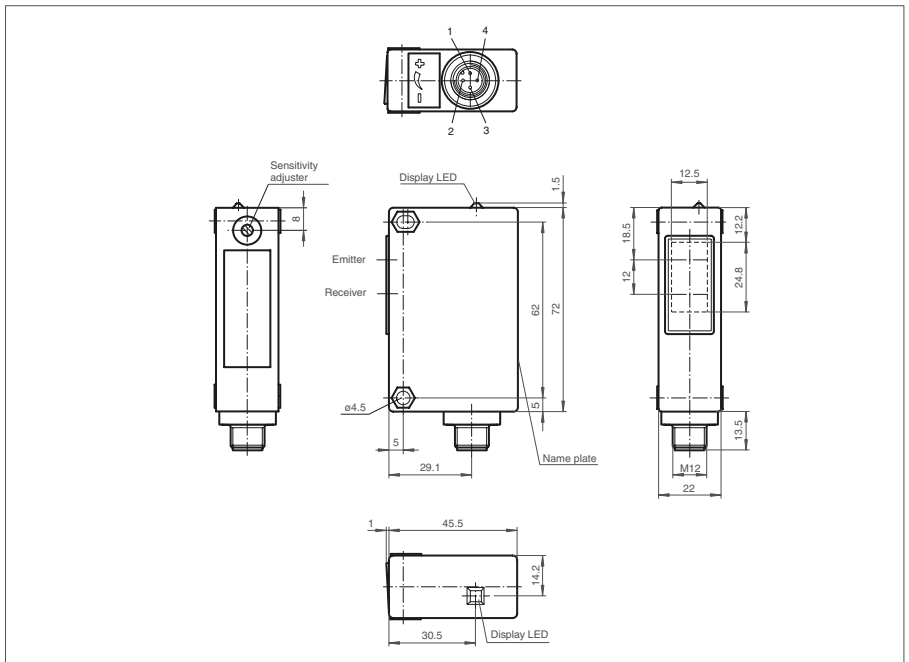
**RL32-8-H-400-2482/47/73c**

Background suppression sensor with 4-pin, M12 x 1 plastic connector

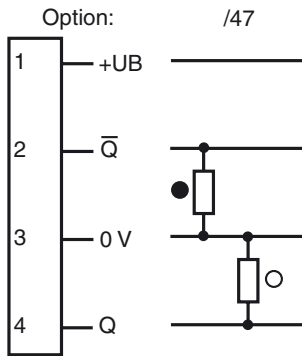
**Features**

- Adjustable background suppression
- Excellent optical performance data
- Sleek design, especially for storage and conveyor systems
- Scratch-resistant and solvent resistant glass lens

**Dimensions**



**Electrical connection**



○ = Light on  
● = Dark on

Release date: 2008-05-20 08:48 Date of issue: 2011-01-26 419602\_ENG.xml

Subject to modifications without notice

Pepperl+Fuchs Group  
www.pepperl-fuchs.com

USA: +1 330 486 0001  
fa-info@us.pepperl-fuchs.com

Germany: +49 621 776-4411  
fa-info@pepperl-fuchs.com

Copyright Pepperl+Fuchs  
Singapore: +65 6779 9091  
fa-info@sg.pepperl-fuchs.com

**Technical data****General specifications**

Detection range	30 ... 400 mm
Detection range min.	30 ... 80 mm
Detection range max.	30 ... 400 mm
Reference target	standard white 200 mm x 200 mm
Light source	IRED
Light type	modulated infrared light
Black/White difference (6%/90%)	< 15 %
Approvals	CE
Diameter of the light spot	approx. 12 mm at 400 mm sensor range
Angle of divergence	approx. 3 °
Ambient light limit	80000 Lux

**Indicators/operating means**

Function display	LED yellow, lights up with receiver lit
Controls	Detection range adjuster

**Electrical specifications**

Operating voltage	$U_B$	10 ... 30 V DC
Ripple		10 %
No-load supply current	$I_0$	40 mA

**Output**

Switching type	light on	
Signal output	2 PNP, complementary, short-circuit protected, reverse polarity protected	
Switching voltage	30 V DC	
Switching current	max. 200 mA	
Switching frequency	$f$	250 Hz
Response time		2 ms

**Standard conformity**

Standards	EN 60947-5-2
-----------	--------------

**Ambient conditions**

Ambient temperature	-20 ... 60 °C (-4 ... 140 °F)
Storage temperature	-20 ... 60 °C (-4 ... 140 °F)

**Mechanical specifications**

Protection degree	IP65
Connection	Plastic connector M12 x 1, 4-pin
Material	
Housing	Terluran GV15
Optical face	glass
Mass	60 g

**Approvals and certificates**

CCC approval	Products with a maximum operating voltage of $\leq 36$ V do not bear a CCC marking because they do not require approval.
--------------	--

**Curves/Diagrams**