



### Model Number

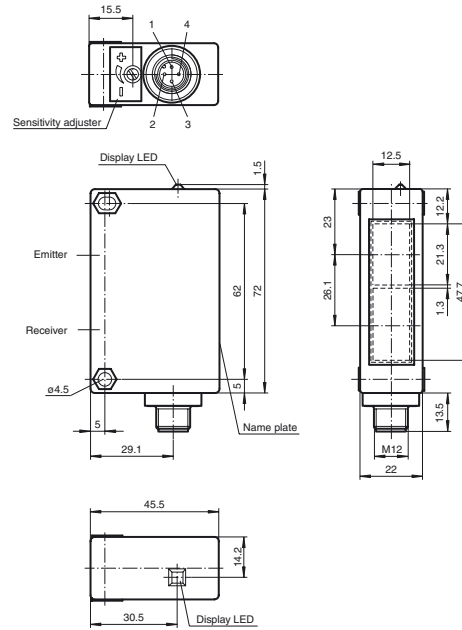
**RL32-8-H-800/47/115**

Background suppression sensor  
with 2 m fixed cable

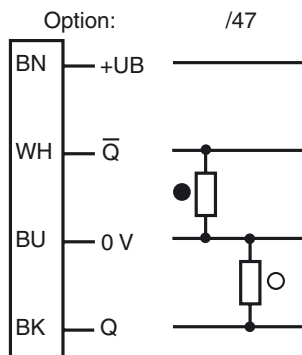
### Features

- Adjustable background suppression
- Excellent optical performance data
- Sleek design, especially for storage and conveyor systems
- Scratch-resistant and solvent resistant glass lens

### Dimensions



### Electrical connection



○ = Light on

● = Dark on

**Technical data****General specifications**

Detection range	40 ... 800 mm
Detection range min.	40 ... 300 mm
Detection range max.	40 ... 800 mm
Reference target	standard white 200 mm x 200 mm
Light source	LED
Light type	modulated visible red light
Black/White difference (6%/90%)	< 20 %
Approvals	CE
Diameter of the light spot	approx. 10 mm at 800 mm sensor range
Angle of divergence	approx. 3 °
Ambient light limit	80000 Lux

**Functional safety related parameters**

MTTF <sub>d</sub>	840 a
Mission Time (T <sub>M</sub> )	20 a
Diagnostic Coverage (DC)	0 %

**Indicators/operating means**

Function display	LED yellow, lights up with receiver lit
Controls	Detection range adjuster

**Electrical specifications**

Operating voltage	U <sub>B</sub>	10 ... 30 V DC
Ripple		10 %
No-load supply current	I <sub>0</sub>	40 mA

**Output**

Switching type	light on	
Signal output	2 PNP, complementary, short-circuit protected, reverse polarity protected	
Switching voltage	30 V DC	
Switching current	max. 200 mA	
Switching frequency	f	250 Hz
Response time		2 ms

**Standard conformity**

Standards	EN 60947-5-2
-----------	--------------

**Ambient conditions**

Ambient temperature	-20 ... 60 °C (-4 ... 140 °F)
Storage temperature	-20 ... 60 °C (-4 ... 140 °F)

**Mechanical specifications**

Protection degree	IP65
Connection	2 m fixed cable
Material	
Housing	Terluran GV15
Optical face	glass
Mass	60 g

**Approvals and certificates**

CCC approval Products with a maximum operating voltage of ≤36 V do not bear a CCC marking because they do not require approval.

**Curves/Diagrams**