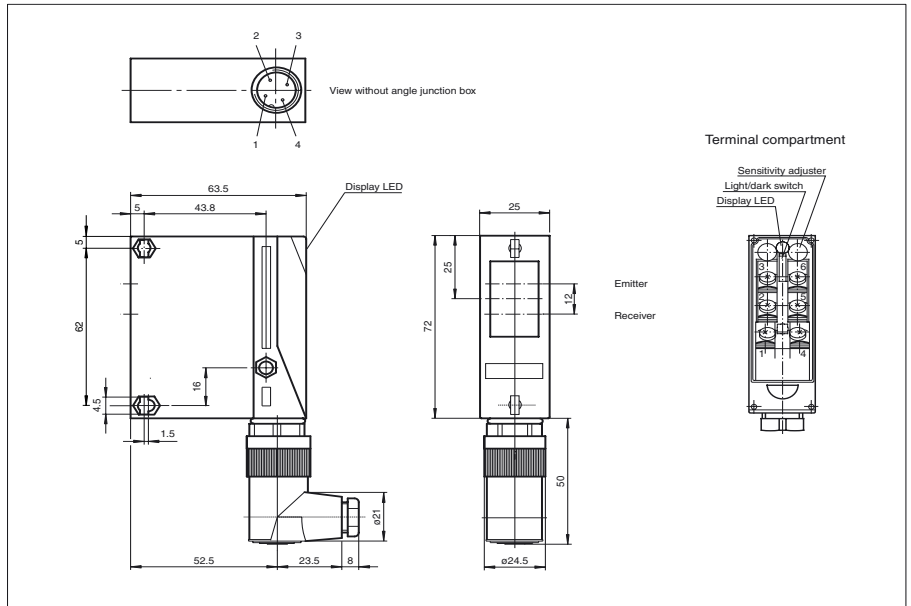




**Dimensions**



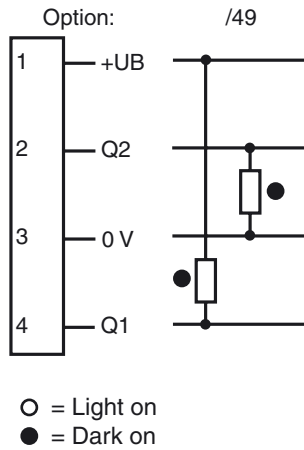
**Model Number**

RL25-8-H-300/49/74a

**Features**

- Compact design
- Pre-fault indication and output
- Sensing range adjuster and light/dark switch

**Electrical connection**



Release date: 2007-09-21 11:08 Date of issue: 2007-09-21 419498\_ENG.xml

**Technical data****General specifications**

Detection range	20 ... 300 mm
Detection range min.	10 ... 100 mm
Detection range max.	20 ... 300 mm
Light source	IRED
Black/White difference (6 %/90 %)	< 10 %
Approvals	CE, cULus
Light type	infrared, modulated light
Diameter of the light spot	approx. 10 mm at a distance of 300 mm
Angle of divergence	approx. 2 °
Ambient light limit	50000 Lux

**Indicators/operating means**

Function display	LED green, lights up with receiver lit , flashes when falling short of the stability control
Operating elements	Light/dark switch
Operating elements	sensing range adjuster

**Electrical specifications**

Operating voltage	10 ... 30 V DC
Ripple	10 %
No-load supply current $I_0$	40 mA

**Output**

Switching type	light/dark switching
Signal output	1 pnp and 1 npn short-circuit proof, protected against reverse polarity
Switching voltage	max. 30 V DC
Switching current	max. 200 mA
Switching frequency $f$	50 Hz
Response time	10 ms

**Standard conformity**

Standards	EN 60947-5-2
-----------	--------------

**Ambient conditions**

Ambient temperature	-20 ... 60 °C (253 ... 333 K)
Storage temperature	-20 ... 75 °C (253 ... 348 K)

**Mechanical specifications**

Protection degree	IP65
Connection	plastic connector M18 , 4-pin with unwired angled cable socket
Material	
Housing	Terluran GV15
Optical face	glass
Mass	90 g

**Curves/Diagrams**