



**Model Number**

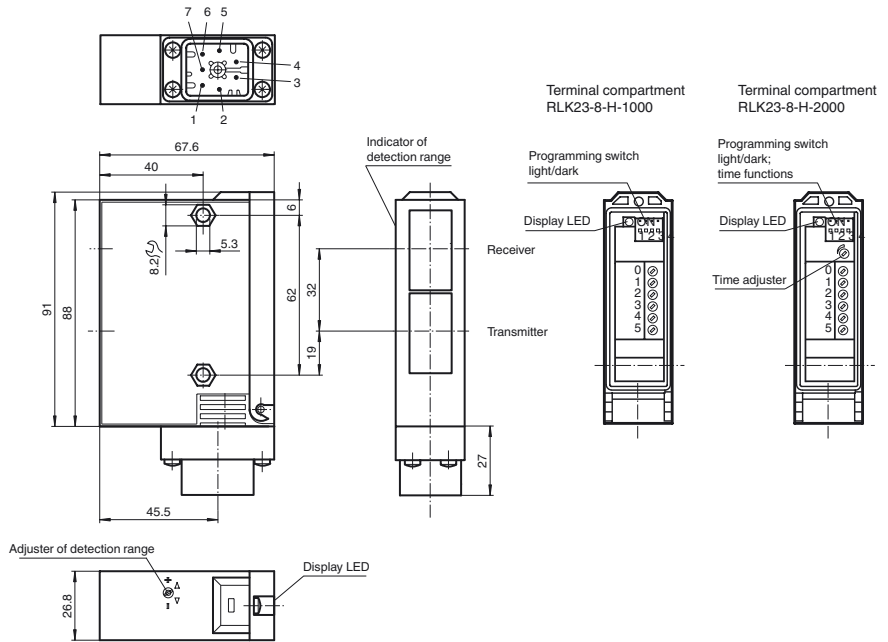
**RLK23-8-H-2000-IR/31/100d**

Background suppression sensor with 7-pin surface-mounted connector up to 250 VAC

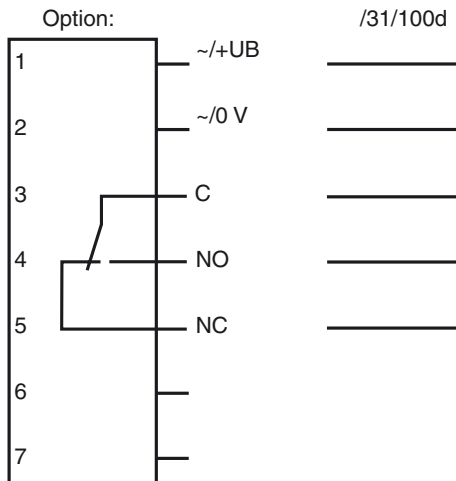
**Features**

- Adjustable background suppression
- Infrared light
- Timer function
- Sturdy plastic housing
- Optical surface made of scratch-resistant glass

**Dimensions**



**Electrical connection**



Release date: 2011-01-06 14:01 Date of issue: 2011-01-06 419491\_ENG.xml

Subject to modifications without notice

Pepperl+Fuchs Group  
www.pepperl-fuchs.com

USA: +1 330 486 0001  
fa-info@us.pepperl-fuchs.com

Germany: +49 621 776-4411  
fa-info@pepperl-fuchs.com

Copyright Pepperl+Fuchs  
Singapore: +65 6779 9091  
fa-info@sg.pepperl-fuchs.com

**Technical data****General specifications**

Detection range	50 ... 2000 mm
Detection range min.	50 ... 150 mm
Detection range max.	50 ... 3000 mm
Light source	IREL
Light type	modulated infrared light
Black/White difference (6 %/90 %)	< 20 %
Diameter of the light spot	50 mm at 2000 mm sensor range
Angle of divergence	1.5 °
Ambient light limit	5000 Lux

**Functional safety related parameters**

MTTF <sub>d</sub>	850 a
Mission Time (T <sub>M</sub> )	20 a
Diagnostic Coverage (DC)	0 %

**Indicators/operating means**

Function display	LED yellow, lights up with receiver lit
Controls	Programming switch for light/dark switching
Controls	Detection range adjuster
Controls	Time adjuster

**Electrical specifications**

Operating voltage	U <sub>B</sub>	12 ... 240 V AC , 10 ... 30 V DC (automatic adaption to +UB)
Power consumption	P <sub>0</sub>	3 VA

**Output**

Switching type	light/dark on	
Signal output	1 relay, 1 alternator	
Switching voltage	max. 240 V AC	
Switching current	max. 2 A	
Switching frequency	f	10 Hz
Response time	50 ms	
Timer function	ON delay (GAN), OFF delay (GAB), one shot (IAB), programmable, adjustment range 0.1 ...10 s	

**Ambient conditions**

Ambient temperature	-20 ... 60 °C (-4 ... 140 °F)
Storage temperature	-20 ... 75 °C (-4 ... 167 °F)

**Mechanical specifications**

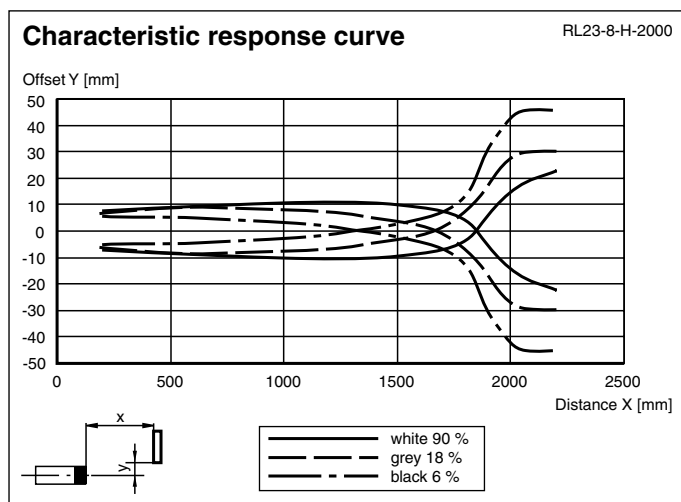
Protection degree	IP65
Connection	7-pin surface-mounted connector, up to 250 VAC (without cable socket)
Material	
Housing	Terluran GV15
Optical face	glass
Mass	180 g

**Compliance with standards and directives**

Standard conformity	
Product standard	EN 60947-5-2:2007 IEC 60947-5-2:2007

**Approvals and certificates**

UL approval	cULus
-------------	-------

**Curves/Diagrams****Accessories****OMH-05**

Mounting aid for round steel ø 12 mm or sheet 1.5 mm ... 3 mm

**OMH-07**

Mounting aid for round steel ø 12 mm or sheet 1.5 mm ... 3 mm

**OMH-21**

Mounting bracket

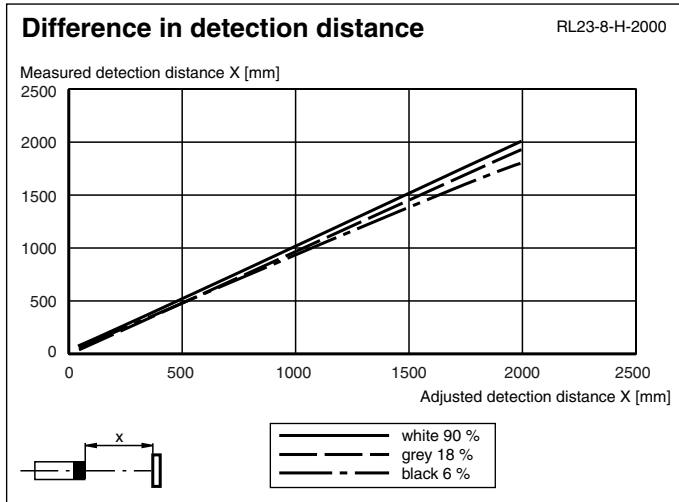
**OMH-22**

Mounting bracket

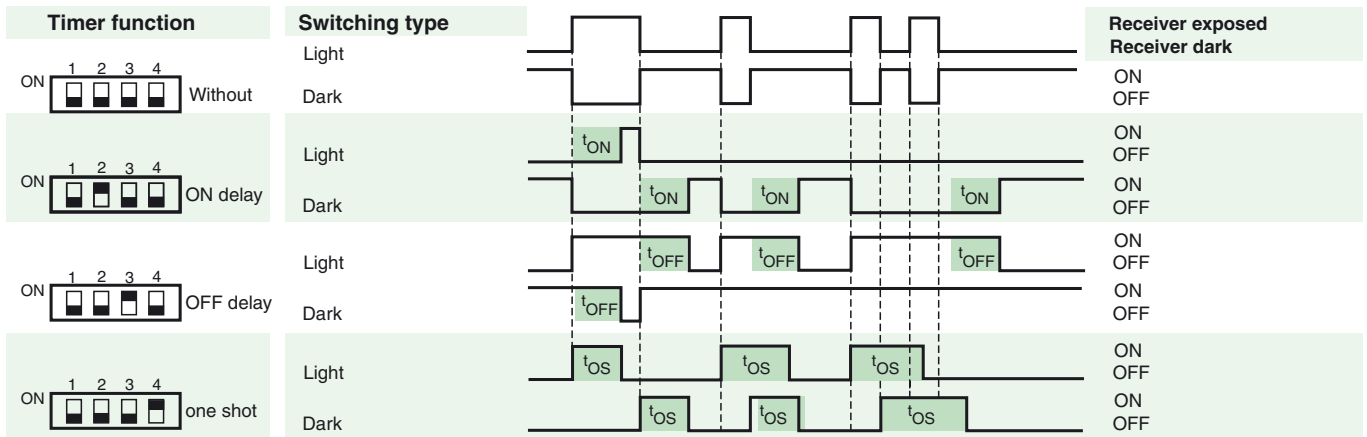
**OMH-RLK29-HW**

Mounting bracket for rear wall mounting

Other suitable accessories can be found at [www.pepperl-fuchs.com](http://www.pepperl-fuchs.com)



### Timer functions



Time  $t_{ON}$ ,  $t_{OFF}$  and  $t_{OS}$  are adjustable from 0.1 to 10 seconds.  
 The Light/Dark-Switch (Left, outer switch) is shown in the "Dark ON" position.

Type	Description	Notes
-Z	OFF delay timer	Adjustable time interval (0.1 s - 10 s)
	one shot timer	
	ON delay timer	

### Light/Dark switch

ON [Switch 1] [Switch 2] [Switch 3] [Switch 4]	Dark on
ON [Switch 1] [Switch 2] [Switch 3] [Switch 4]	Light on

Release date: 2011-01-06 14:01 Date of issue: 2011-01-06 419491\_ENG.xml