



Model Number

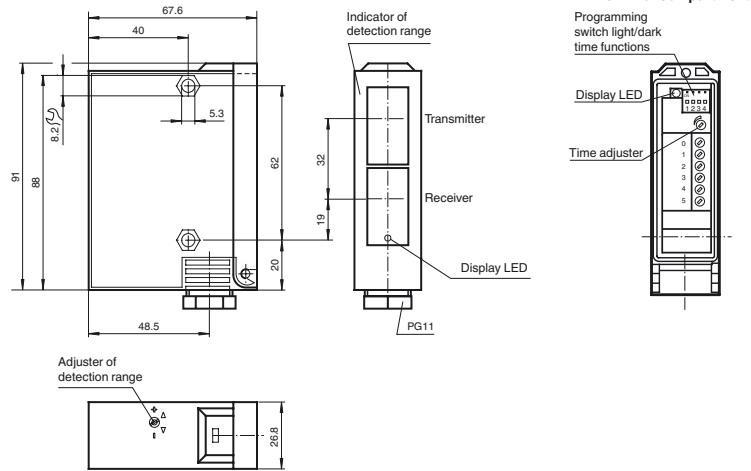
RLK23-1482

Background suppression sensor terminal compartment

Features

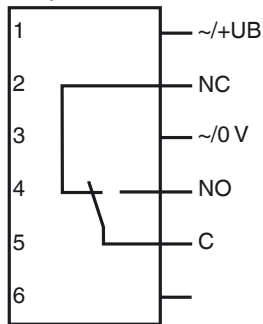
- Adjustable background suppression
- Infrared light
- Timer function
- Sturdy plastic housing
- Optical surface made of scratch-resistant glass
- Hauni-No.: 165276300000EN5380

Dimensions



Electrical connection

Opzione:



- = Light on
- = Dark on

Release date: 2011-10-27 11:48 Date of issue: 2011-10-27 419483_eng.xml

Technical data**General specifications**

Detection range	50 ... 2000 mm , preset to 800 mm +/-50 mm
Adjustment range	200 ... 2000 mm
Light source	IREL
Light type	modulated infrared light
Black/White difference (6%/90%)	< 20 %
Diameter of the light spot	50 mm at 2000 mm sensor range
Angle of divergence	1.5 °
Ambient light limit	5000 Lux

Functional safety related parameters

MTTF _d	850 a
Mission Time (T _M)	20 a
Diagnostic Coverage (DC)	0 %

Indicators/operating means

Function display	LED yellow, lights up with receiver lit
Controls	Programming switch for light/dark switching
Controls	Detection range adjuster
Controls	Time adjuster

Electrical specifications

Operating voltage	U _B	12 ... 240 V AC , 10 ... 330 V DC (automatic adaption to +UB)
Power consumption	P ₀	3 VA

Output

Switching type	light/dark on selectable programmable	
Signal output	1 relay output, 1 alternator	
Switching voltage	max. 240 V AC	
Switching current	max. 2 A	
Switching frequency	f	10 Hz
Response time	50 ms	
Timer function	ON delay (GAN), OFF delay (GAB), one shot (IAB), programmable, adjustment range 0.1 ...10 s	

Ambient conditions

Ambient temperature	-20 ... 60 °C (-4 ... 140 °F)
Storage temperature	-20 ... 75 °C (-4 ... 167 °F)

Mechanical specifications

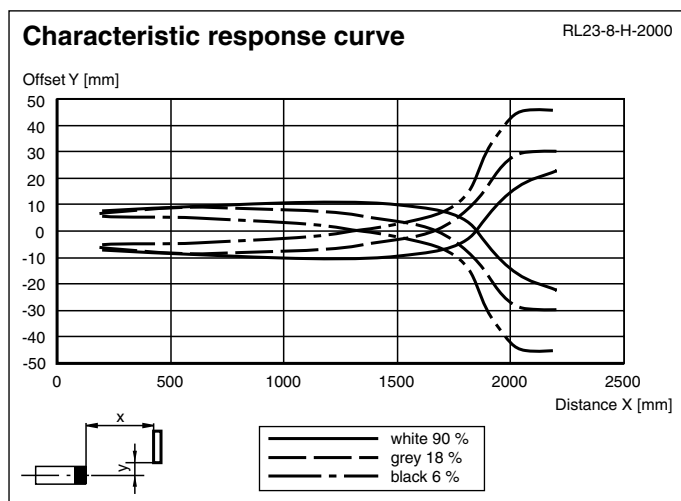
Protection degree	IP65
Connection	terminal compartment
Material	
Housing	Terluran GV15
Optical face	glass
Mass	180 g

Compliance with standards and directives

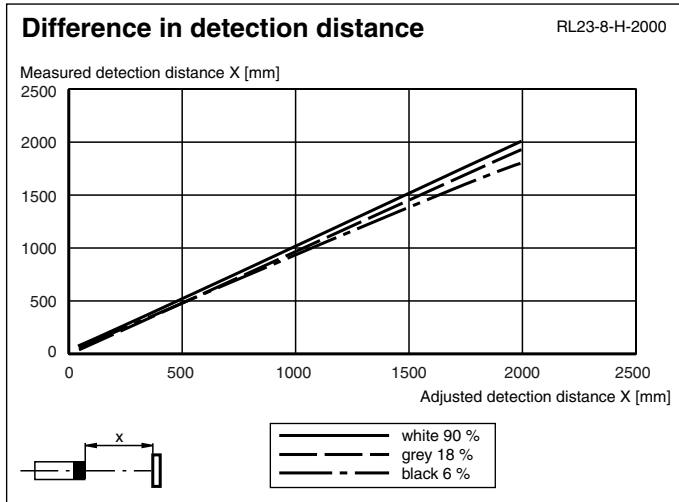
Standard conformity	
Product standard	EN 60947-5-2:2007 IEC 60947-5-2:2007

Approvals and certificates

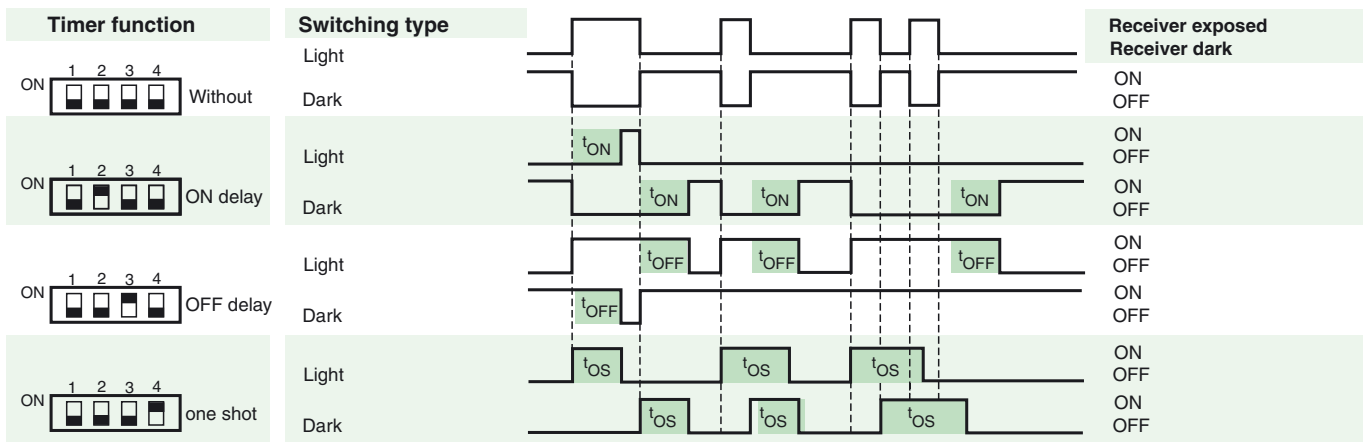
UL approval	cULus
CCC approval	Certified by China Compulsory Certification (CCC)

Curves/Diagrams

Other suitable accessories can be found at www.pepperl-fuchs.com



Timer functions



Time t_{ON} , t_{OFF} and t_{OS} are adjustable from 0.1 to 10 seconds.
 The Light-/Dark-Switch (Left, outer switch) is shown in the "Dark ON" position.

Type	Description	Notes
-Z	OFF delay timer	Adjustable time interval (0.1 s - 10 s)
	one shot timer	
	ON delay timer	
	ON delay timer / OFF delay timer	
	ON delay timer / one shot timer	

Release date: 2011-10-27 11:48 Date of issue: 2011-10-27 419483_eng.xml