



Model Number

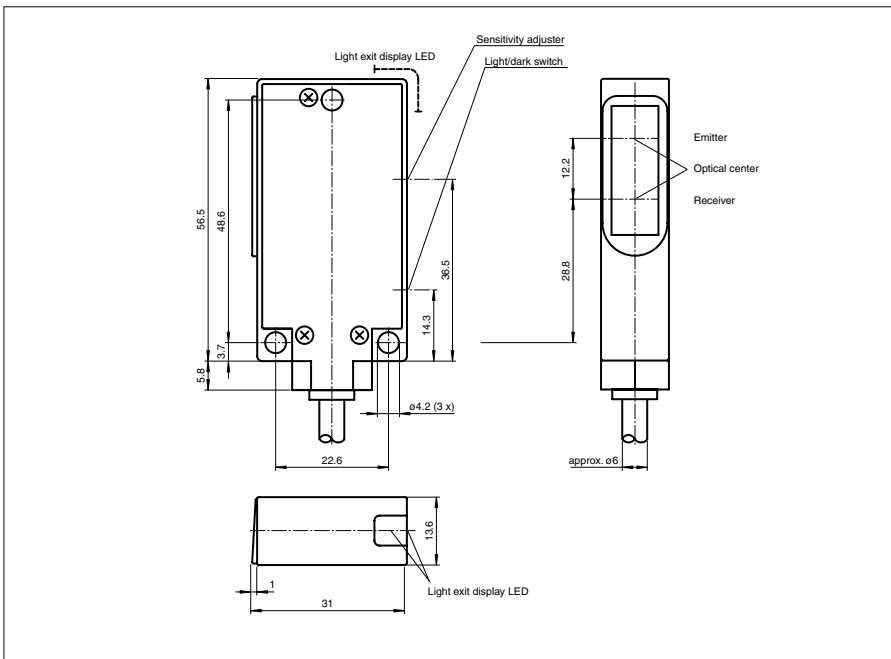
MLV40-8-H-65-2129/32

Background suppression sensor
with 2 m fixed cable

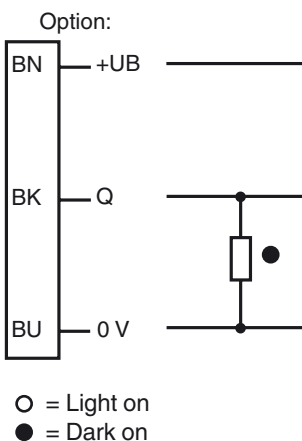
Features

- Sturdy aluminum housing
- Scratch-resistant and solvent resistant glass lens
- Minimal black/white difference
- Sensing range adjuster and light/dark switch
- Less space required

Dimensions



Electrical connection



Release date: 2012-09-04 10:16 Date of issue: 2012-09-04 419381_eng.xml

Subject to modifications without notice

Pepperl+Fuchs Group
www.pepperl-fuchs.com

USA: +1 330 486 0001
fa-info@us.pepperl-fuchs.com

Germany: +49 621 776-4411
fa-info@pepperl-fuchs.com

Copyright Pepperl+Fuchs
Singapore: +65 6779 9091
fa-info@sg.pepperl-fuchs.com

Technical data**General specifications**

Detection range	10 ... 150 mm
Adjustment range	70 ... 150 mm
Reference target	standard white 100 mm X 100 mm
Light source	IRED
Light type	modulated infrared light
Black/White difference (6 %/90 %)	< 30 %
Approvals	CE
USA	UL
Canada	UL
Angle of divergence	approx. 7 °
Ambient light limit	100000 Lux

Indicators/operating means

Function display	LED yellow, lights up with receiver lit
Controls	Detection range adjuster, light/dark switch

Electrical specifications

Operating voltage	U_B	10 ... 30 V DC
Ripple		5 %
No-load supply current	I_0	40 mA

Output

Switching type	light/dark on
Signal output	1 PNP, complementary short-circuit protected, reverse polarity protected
Switching voltage	max. 30 V DC
Switching current	max. 200 mA
Switching frequency	f 100 Hz
Response time	1 ms

Standard conformity

Standards	EN 60947-5-2
-----------	--------------

Ambient conditions

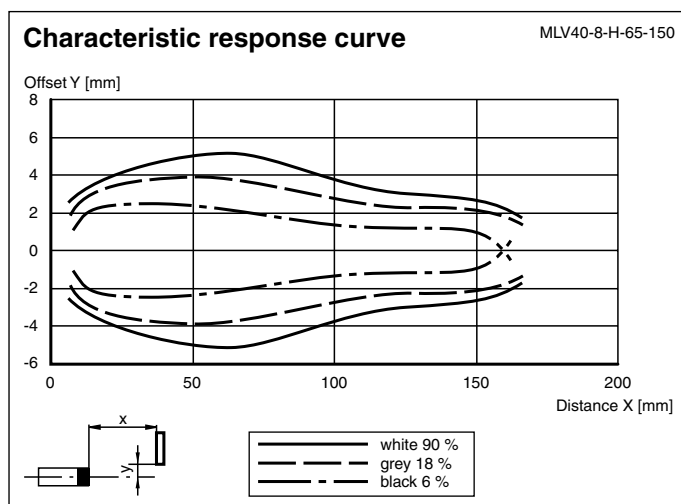
Ambient temperature	-20 ... 60 °C (-4 ... 140 °F)
Storage temperature	-20 ... 75 °C (-4 ... 167 °F)

Mechanical specifications

Protection degree	IP65
Connection	2 m fixed cable
Material	
Housing	aluminum
Optical face	glass
Mass	100 g

Approvals and certificates

CCC approval	Products with a maximum operating voltage of ≤ 36 V do not bear a CCC marking because they do not require approval.
--------------	--

Curves/Diagrams

Curves/Diagrams

