



MLV40-8-H-80/48/92

Reflection light scanner with background suppression

MLV40-8-H-80/48/92

with M12, 4-pin metal connector



- ◆ Sturdy aluminium housing
- ◆ Scratch-resistant and solvent resistant optical covering made of glass
- ◆ Minimal black-/white difference
- ◆ Less space required

General specifications

| | |
|-----------------------------------|--------------------------------|
| Detection range | 10 ... 80 mm |
| Light source | IRED |
| Black/White difference (6 %/90 %) | < 10 % |
| Approvals | CE |
| USA | UL |
| Kanada | UL |
| Reference target | standard white 100 mm X 100 mm |
| Light type | infrared, modulated light |
| Diameter of the light spot | approx. 10 mm at 80 mm |
| Angle of divergence | approx. 7 ° |
| Ambient light limit | 100000 Lux |

Indicators/operating means

| | |
|------------------|---|
| Function display | LED yellow, lights up with receiver lit |
|------------------|---|

Electrical specifications

| | |
|---------------------------------------|----------------|
| Operating voltage | 10 ... 30 V DC |
| Ripple | 5 % |
| No-load supply current I ₀ | 40 mA |

Output

| | |
|-----------------------|---|
| Switching type | light/dark switching |
| Signal output | 2 npn antivalent, short-circuit proof, protected against reverse polarity |
| Switching voltage | max. 30 V DC |
| Switching current | max. 200 mA |
| Switching frequency f | 100 Hz |
| Response time | 5 ms |

Standard conformity

| | |
|-----------|--------------|
| Standards | EN 60947-5-2 |
|-----------|--------------|

Ambient conditions

| | |
|---------------------|-------------------------------|
| Ambient temperature | -20 ... 60 °C (253 ... 333 K) |
| Storage temperature | -20 ... 75 °C (253 ... 348 K) |

Mechanical specifications

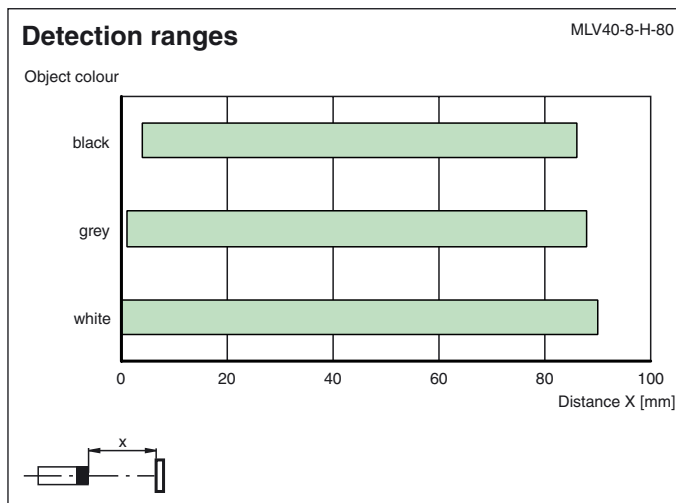
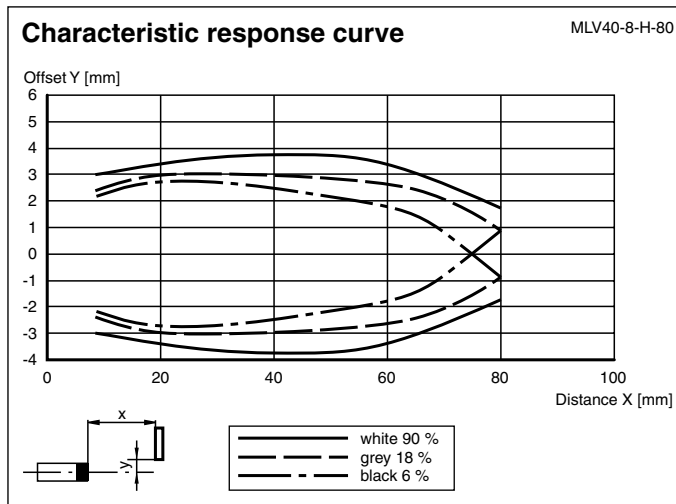
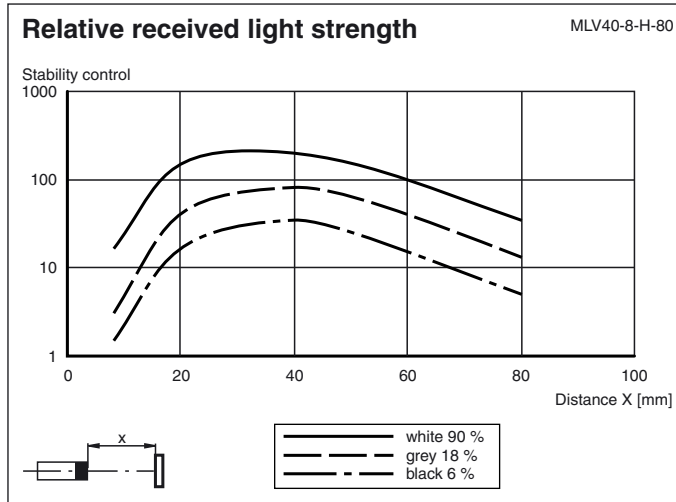
| | |
|-------------------|----------------------|
| Protection degree | IP65 |
| Connection | M12 connector, 4-pin |
| Material | |
| Housing | aluminium |
| Optical face | glass |
| Mass | 100 g |

Release date: 2004-07-27 16:01 Date of issue: 2005-06-29 419356_ENG.xml

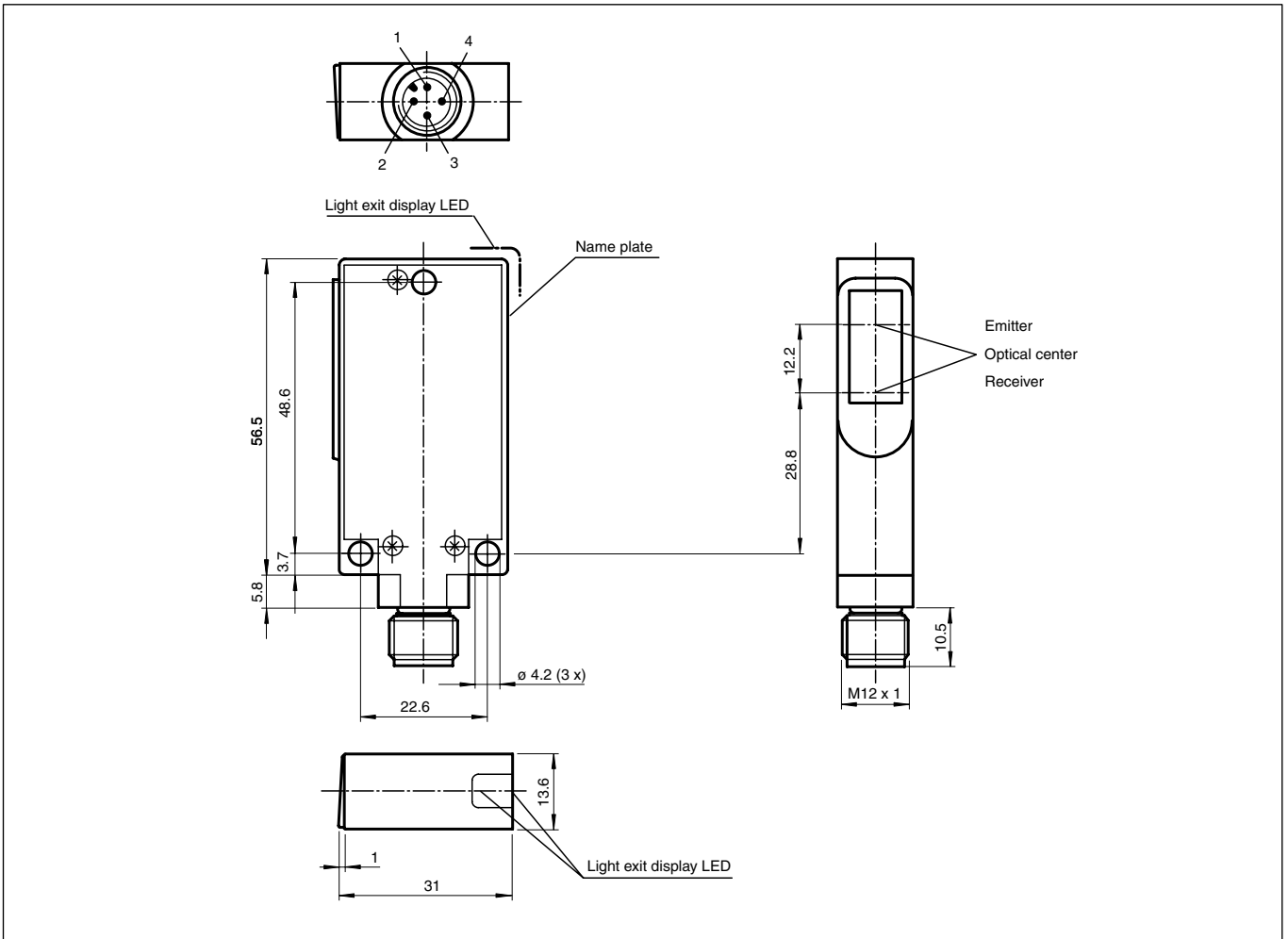


MLV40-8-H-80/48/92

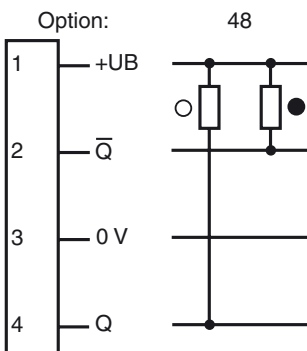
Curves/Diagrams



Dimensions



Electrical connection



○ = light on, ● = dark on