



**Model Number**

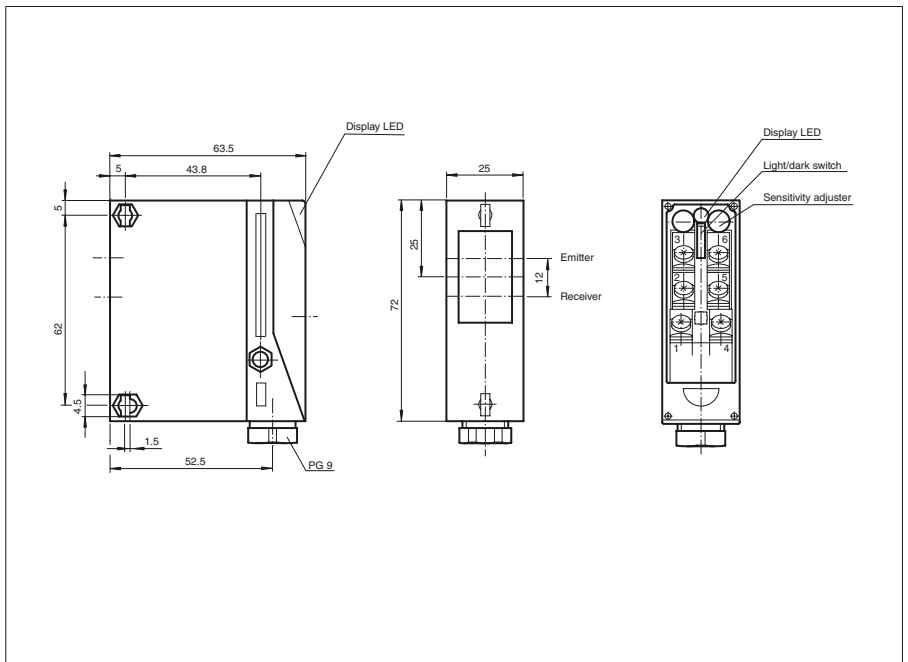
**RLK25-8-2000/116**

Diffuse mode sensor  
with terminal compartment

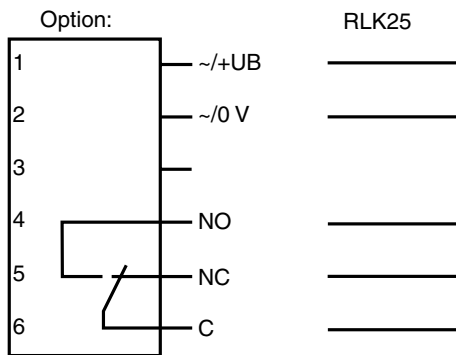
**Features**

- Compact design
- Sensing range adjuster
- Supplied with mounting accessory

**Dimensions**



**Electrical connection**



- = Light on
- = Dark on

Release date: 2010-04-22 18:08 Date of issue: 2010-04-22 4 19223\_ENG.xml

## Technical data

### General specifications

Detection range	10 ... 2000 mm
Adjustment range	600 ... 2000 mm
Reference target	standard white 100 mm X 100 mm
Light source	IREd
Light type	modulated infrared light
Approvals	CE, cULus
Diameter of the light spot	approx. 70 mm at a distance of 2000 mm
Angle of divergence	approx. 2 °
Ambient light limit	30000 Lux
Accessories provided	Mounting bracket

### Functional safety related parameters

MTTF <sub>d</sub>	740 a
Mission Time (T <sub>M</sub> )	20 a
Diagnostic Coverage (DC)	0 %

### Indicators/operating means

Function display	LED green, lights up with receiver lit, flashes when falling short of the stability control
Controls	sensing range adjuster
Controls	Light/dark switch

### Electrical specifications

Operating voltage	U <sub>B</sub>	12 ... 240 V AC/DC
Power consumption	P <sub>0</sub>	3 VA

### Output

Switching type	Light/Dark ON switchable	
Signal output	1 relay, 1 alternator	
Switching voltage	max. 240 V AC	
Switching current	max. 2 A	
Switching frequency	f	25 Hz
Response time		2 ms

### Standard conformity

Standards	EN 60947-5-2
-----------	--------------

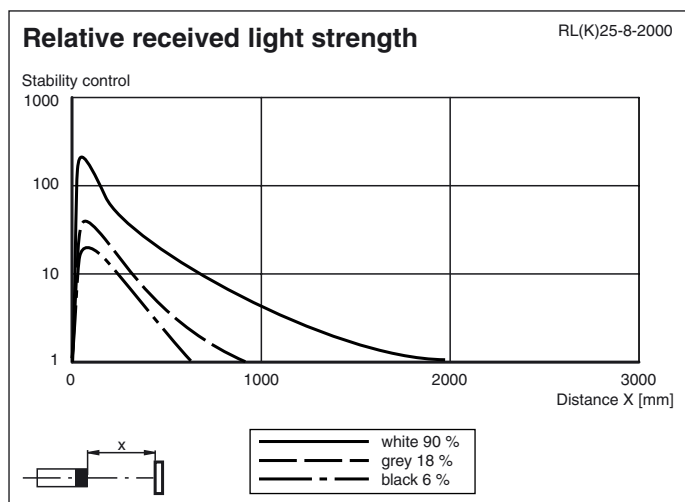
### Ambient conditions

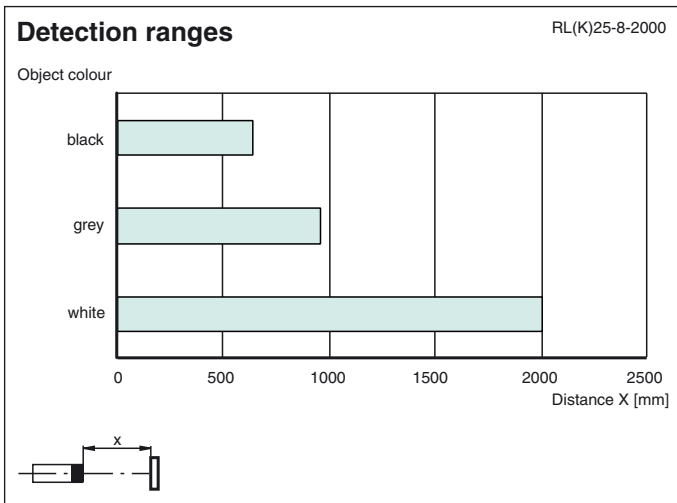
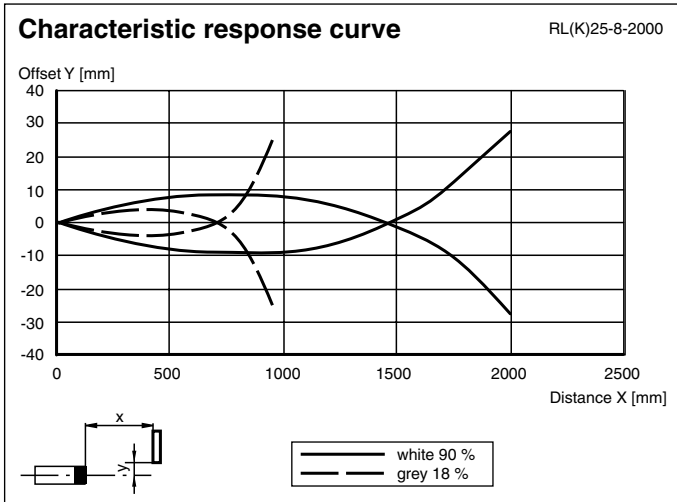
Ambient temperature	-20 ... 60 °C (-4 ... 140 °F)
Storage temperature	-20 ... 75 °C (-4 ... 167 °F)

### Mechanical specifications

Protection degree	IP65
Connection	terminal compartment
Material	
Housing	Terluran GV15
Optical face	glass
Mass	100 g

## Curves/Diagrams





Release date: 2010-04-22 18:08 Date of issue: 2010-04-22 4 19223\_ENG.xml