



Model Number

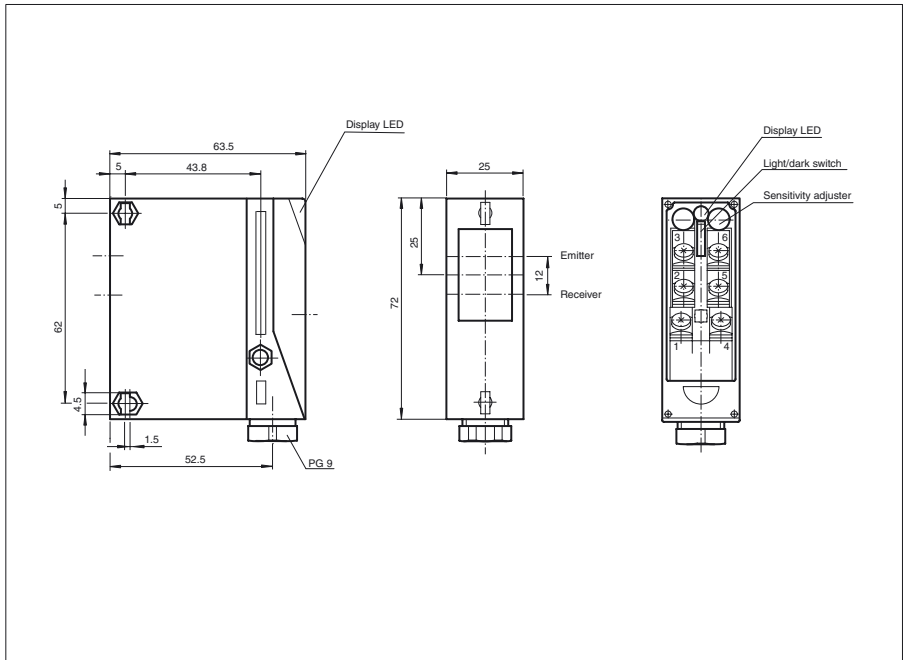
RL25-8-800/47/116

Diffuse mode sensor
with terminal compartment

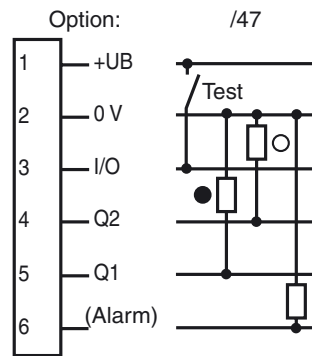
Features

- Compact design
- Pre-fault indication and output
- Sensing range adjuster and light/dark switch
- Test input

Dimensions



Electrical connection



- = Light on
- = Dark on

Release date: 2007-09-21 11:08 Date of issue: 2011-01-26 419218_ENG.xml

Subject to modifications without notice

Pepperl+Fuchs Group
www.pepperl-fuchs.com

USA: +1 330 486 0001
fa-info@us.pepperl-fuchs.com

Germany: +49 621 776-4411
fa-info@pepperl-fuchs.com

Copyright Pepperl+Fuchs

Singapore: +65 6779 9091
fa-info@sg.pepperl-fuchs.com

Technical data

General specifications

Detection range	10 ... 800 mm
Adjustment range	300 ... 800 mm
Reference target	standard white 100 mm X 100 mm
Light source	IREL
Light type	modulated infrared light
Approvals	CE, cULus
Diameter of the light spot	approx. 25 mm at a distance of 800 mm
Angle of divergence	approx. 2 °
Ambient light limit	40000 Lux

Indicators/operating means

Function display	LED green, lights up with receiver lit , flashes when falling short of the stability control
Controls	Detection range adjuster
Controls	Light/Dark switch

Electrical specifications

Operating voltage	U_B	10 ... 30 V DC
Ripple		10 %
No-load supply current	I_0	40 mA

Input

Test input	emitter deactivation at $+U_B$
------------	--------------------------------

Output

Output of the pre-fault indication	1 PNP, inactive when falling short of the stability control	
Switching type	light/dark on switchable	
Signal output	2 PNP, complementary, short-circuit protected, reverse polarity protected	
Switching voltage	30 V DC	
Switching current	max. 200 mA	
Switching frequency	f	250 Hz
Response time		2 ms

Standard conformity

Standards	EN 60947-5-2
-----------	--------------

Ambient conditions

Ambient temperature	-20 ... 60 °C (-4 ... 140 °F)
Storage temperature	-20 ... 75 °C (-4 ... 167 °F)

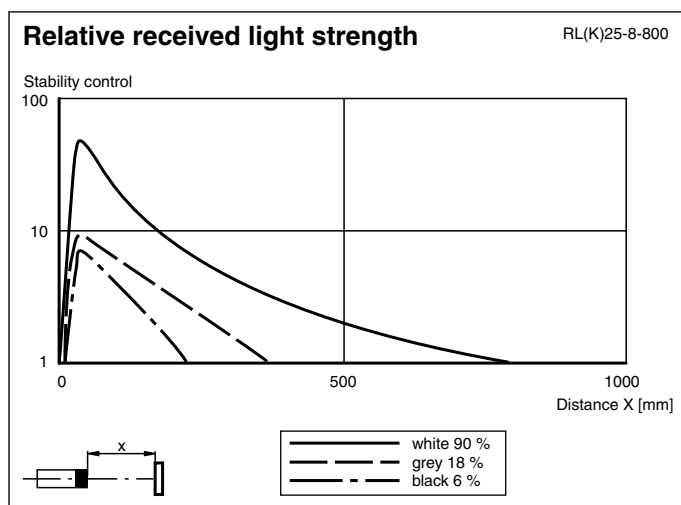
Mechanical specifications

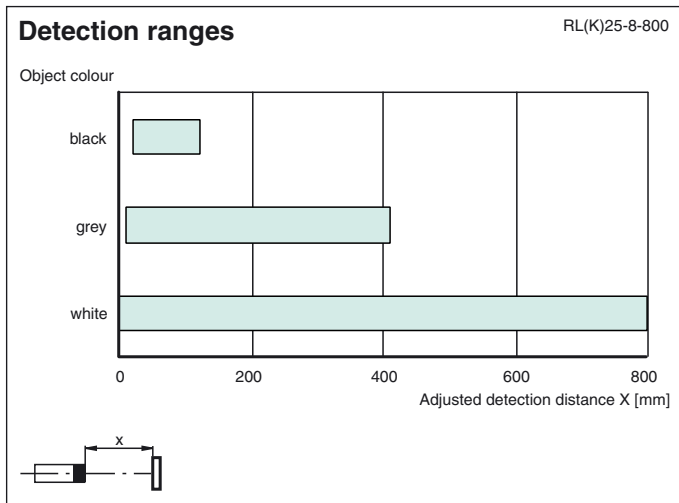
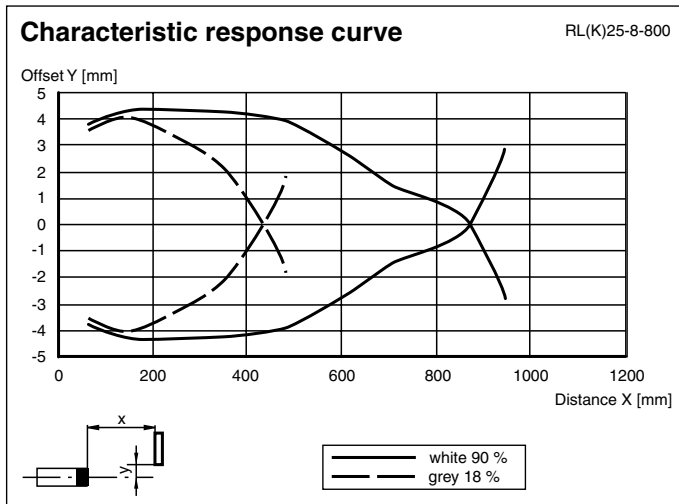
Protection degree	IP65
Connection	terminal compartment
Material	
Housing	Terluran GV15
Optical face	glass
Mass	90 g

Approvals and certificates

CCC approval	Products with a maximum operating voltage of ≤ 36 V do not bear a CCC marking because they do not require approval.
--------------	--

Curves/Diagrams





Release date: 2007-09-21 11:08 Date of issue: 2011-01-26 419218_ENG.xml