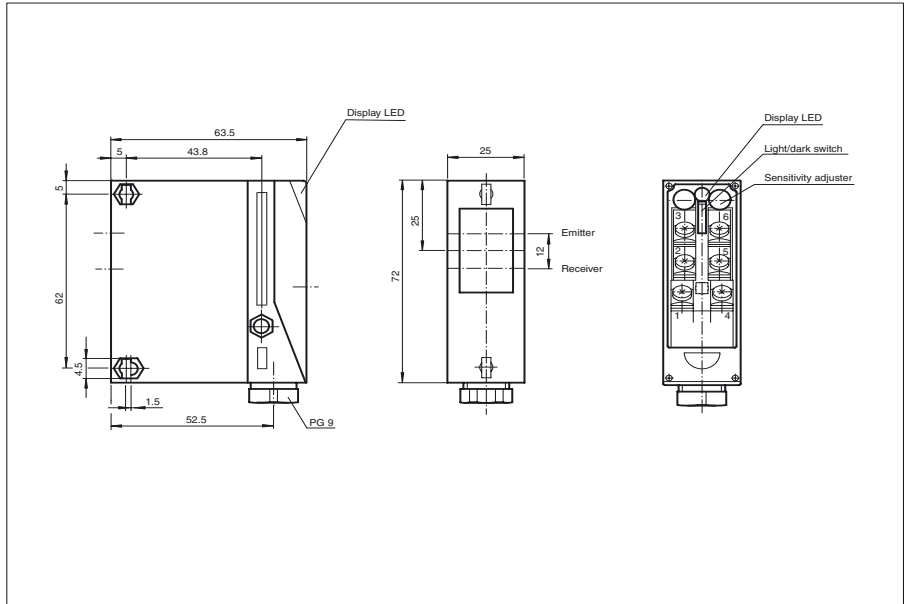




Dimensions



Model Number

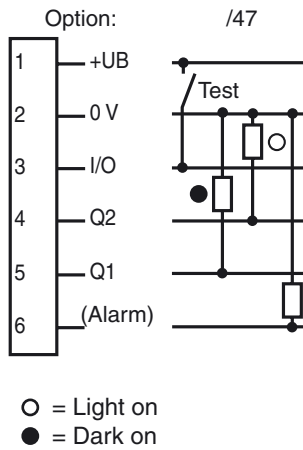
RL25-8-2000/47/116

Diffuse mode sensor
with terminal compartment

Features

- Compact design
- Pre-fault indication and output
- Sensing range adjuster and light/dark switch
- Test input

Electrical connection



Release date: 2007-09-21 11:08 Date of issue: 2007-09-21 419213_ENG.xml

Technical data

General specifications

Detection range	10 ... 2000 mm
Light source	IREL
Approvals	CE, cULus
Adjustment range	600 ... 2000 mm
Reference target	standard white 100 mm X 100 mm
Light type	infrared, modulated light
Diameter of the light spot	approx. 70 mm at a distance of 2000 mm
Angle of divergence	approx. 2 °
Ambient light limit	30000 Lux

Indicators/operating means

Function display	LED green, lights up with receiver lit , flashes when falling short of the stability control
Operating elements	sensing range adjuster
Operating elements	Light/dark switch

Electrical specifications

Operating voltage	10 ... 30 V DC
Ripple	10 %
No-load supply current	I_0 40 mA

Input

Test input	emitter deactivation at +U _B
------------	---

Output

Output of the pre-fault indication	1 pnp, inactive when falling short of the stability control
Switching type	Light/dark ON, switchable
Signal output	2 pnp, antivalent, short-circuit proof, protected against reverse polarity
Switching voltage	30 V DC
Switching current	max. 200 mA
Switching frequency	f 50 Hz
Response time	10 ms

Standard conformity

Standards	EN 60947-5-2
-----------	--------------

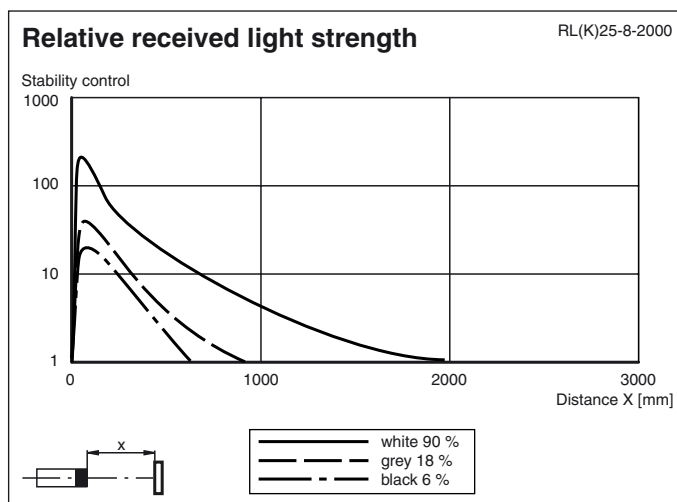
Ambient conditions

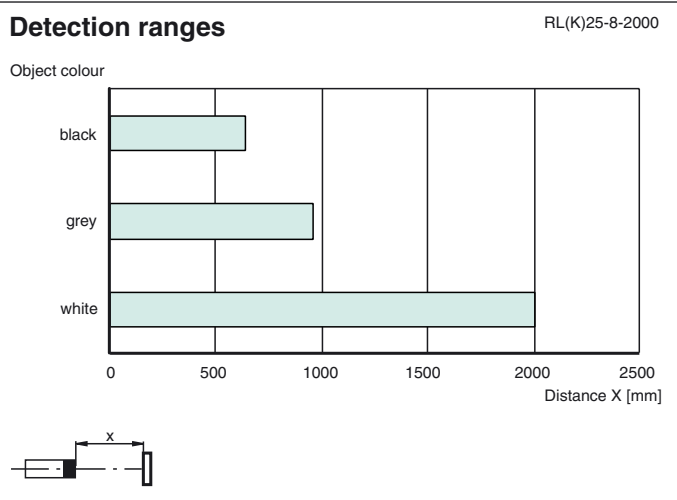
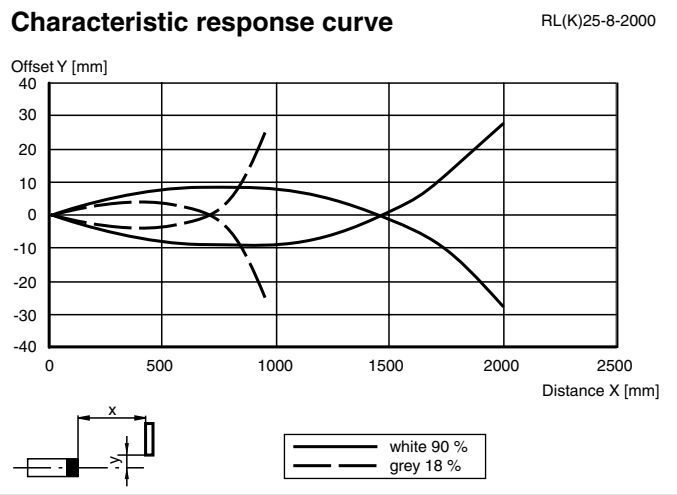
Ambient temperature	-20 ... 60 °C (253 ... 333 K)
Storage temperature	-20 ... 75 °C (253 ... 348 K)

Mechanical specifications

Protection degree	IP65
Connection	terminal compartment
Material	
Housing	Terluran GV15
Optical face	glass
Mass	90 g

Curves/Diagrams





Release date: 2007-09-21 11:08 Date of issue: 2007-09-21 419213_ENG.xml