



**Model Number**

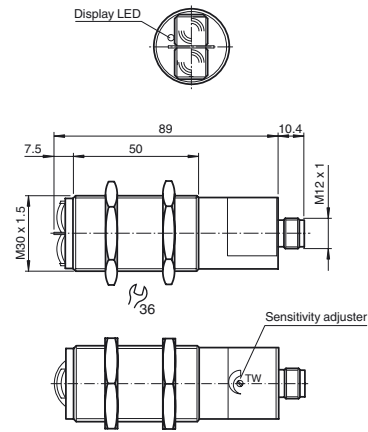
**GLV30-8-2000-2373**

Diffuse mode sensor  
connector M12 x 1, 4-pin

**Features**

- M30 plastic housing
- Light-On switching

**Dimensions**

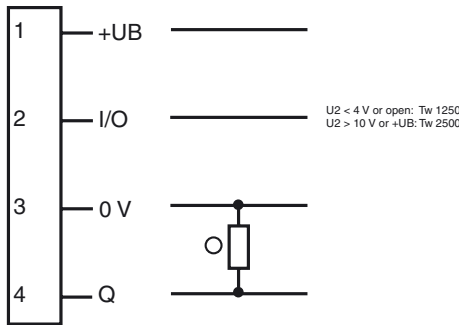


Unit connector



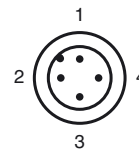
**Electrical connection**

Option : /32



- = Light on
- = Dark on

**Pinout**



Release date: 2012-04-10 14:37 Date of issue: 2012-04-10 4-19129\_eng.xml

**Technical data****General specifications**

Detection range	100 ... 2500 mm switchable
Detection range min.	100 ... 1250 mm
Detection range max.	100 ... 2500 mm
Adjustment range	500 ... 2500 mm
Light source	IRED
Light type	modulated infrared light
Approvals	CE
Diameter of the light spot	approx. 450 mm at a distance of 2000 mm
Angle of divergence	$\pm 7^\circ$
Ambient light limit	30000 Lux

**Indicators/operating means**

Function display	LED yellow, lights up if receiver is not lit
Controls	Detection range adjuster

**Electrical specifications**

Operating voltage	$U_B$	24 V DC $\pm$ 20 %
Ripple		10 %
No-load supply current	$I_0$	30 mA

**Output**

Switching type	light on	
Signal output	1 PNP, short-circuit protected, reverse polarity protected, open collector	
Switching voltage	max. 30 V DC	
Switching current	max. 200 mA	
Switching frequency	f	35 Hz
Response time		10 ms

**Standard conformity**

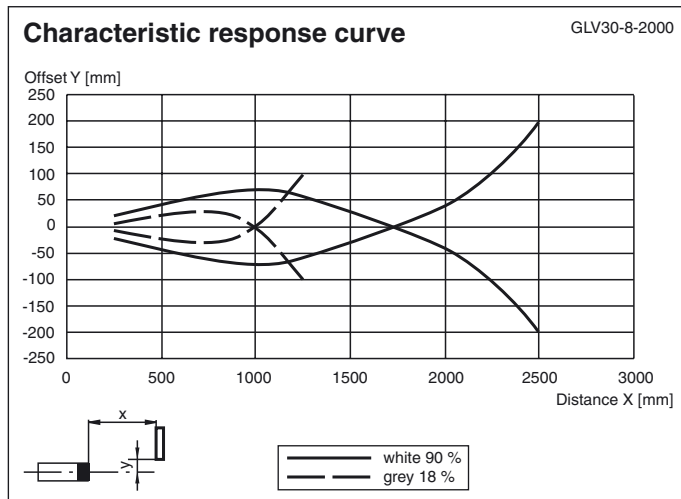
Standards	EN 60947-5-2
-----------	--------------

**Ambient conditions**

Ambient temperature	-20 ... 60 °C (-4 ... 140 °F)
Storage temperature	-20 ... 75 °C (-4 ... 167 °F)

**Mechanical specifications**

Protection degree	IP67
Connection	Plastic connector M12 x 1, 4-pin
Material	
Housing	ABS
Optical face	plastic lenses
Mass	approx. 70 g

**Curves/Diagrams****Accessories****V1-G-2M-PUR**

Cable socket, M12, 4-pin, PUR cable

**V1-W-2M-PUR**

Cable socket, M12, 4-pin, PUR cable

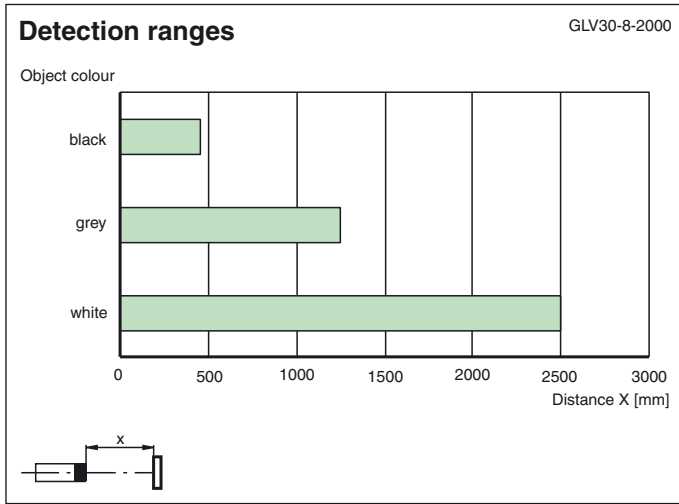
**BF 30**

Mounting flange, 30 mm

**BF 30-F**

Mounting flange with dead stop, 30 mm

Other suitable accessories can be found at [www.pepperl-fuchs.com](http://www.pepperl-fuchs.com)



Release date: 2012-04-10 14:37 Date of issue: 2012-04-10 4 19 129\_eng.xml

Subject to modifications without notice

Pepperl+Fuchs Group  
www.pepperl-fuchs.com

USA: +1 330 486 0001  
fa-info@us.pepperl-fuchs.com

Germany: +49 621 776-4411  
fa-info@pepperl-fuchs.com

Copyright Pepperl+Fuchs  
Singapore: +65 6779 9091  
fa-info@sg.pepperl-fuchs.com