



Model Number

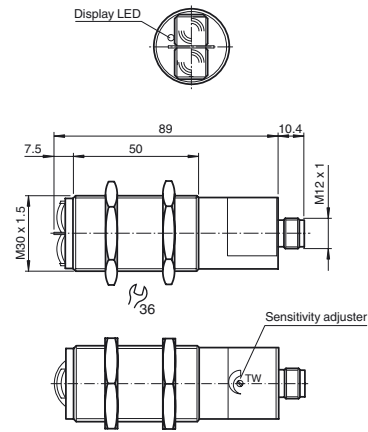
GLV30-8-2000-2375

Diffuse mode sensor
connector M12 x 1, 4-pin

Features

- M30 plastic housing
- Light/Dark switching

Dimensions

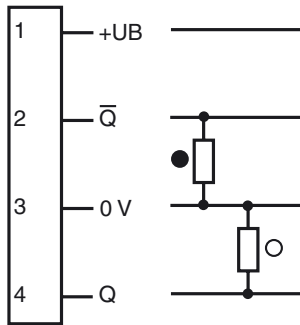


Unit connector



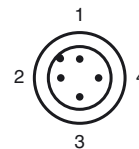
Electrical connection

Option: /47



○ = Light on
● = Dark on

Pinout



Release date: 2012-04-10 14:37 Date of issue: 2012-04-10 4-19127_eng.xml

Technical data**General specifications**

Detection range	100 ... 2500 mm
Adjustment range	500 ... 2500 mm
Light source	IREL
Light type	modulated infrared light
Approvals	CE
Diameter of the light spot	approx. 450 mm at a distance of 2000 mm
Angle of divergence	$\pm 7^\circ$
Ambient light limit	30000 Lux

Indicators/operating means

Function display	LED yellow, lights up with receiver lit
Controls	Detection range adjuster

Electrical specifications

Operating voltage	U_B	24 V DC \pm 20 %
Ripple		10 %
No-load supply current	I_0	30 mA

Output

Switching type	light/dark on	
Signal output	2 PNP, complementary, short-circuit protected, reverse polarity protected	
Switching voltage	max. 30 V DC	
Switching current	max. 200 mA	
Switching frequency	f	35 Hz
Response time		10 ms

Standard conformity

Standards	EN 60947-5-2
-----------	--------------

Ambient conditions

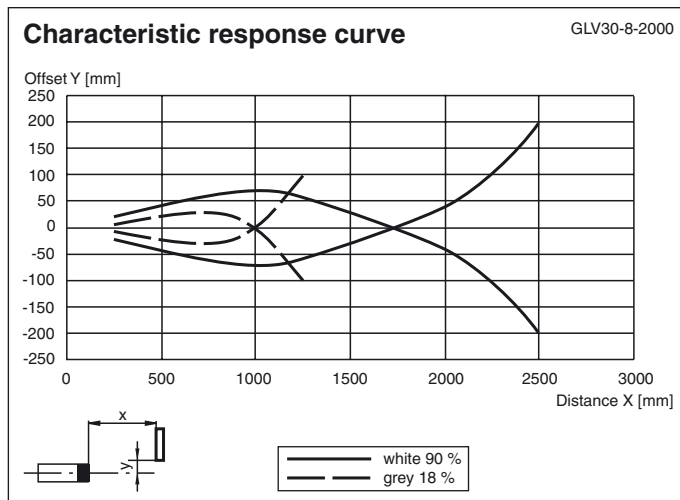
Ambient temperature	-20 ... 60 °C (-4 ... 140 °F)
Storage temperature	-20 ... 75 °C (-4 ... 167 °F)

Mechanical specifications

Protection degree	IP67
Connection	Plastic connector M12 x 1, 4-pin
Material	
Housing	ABS
Optical face	plastic lenses
Mass	approx. 70 g

Approvals and certificates

CCC approval	Products with a maximum operating voltage of ≤ 36 V do not bear a CCC marking because they do not require approval.
--------------	--

Curves/Diagrams**Accessories****V1-G-2M-PUR**

Cable socket, M12, 4-pin, PUR cable

V1-W-2M-PUR

Cable socket, M12, 4-pin, PUR cable

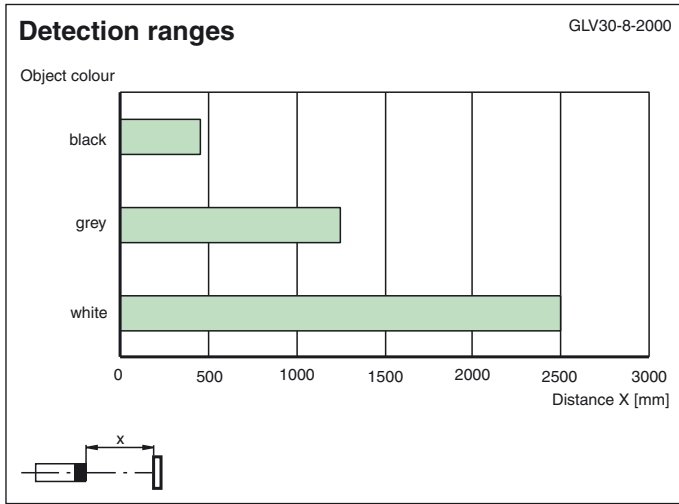
BF 30

Mounting flange, 30 mm

BF 30-F

Mounting flange with dead stop, 30 mm

Other suitable accessories can be found at www.pepperl-fuchs.com



Release date: 2012-04-10 14:37 Date of issue: 2012-04-10 4 19127_eng.xml

Subject to modifications without notice

Pepperl+Fuchs Group
www.pepperl-fuchs.com

USA: +1 330 486 0001
fa-info@us.pepperl-fuchs.com

Germany: +49 621 776-4411
fa-info@pepperl-fuchs.com

Copyright Pepperl+Fuchs

Singapore: +65 6779 9091
fa-info@sg.pepperl-fuchs.com